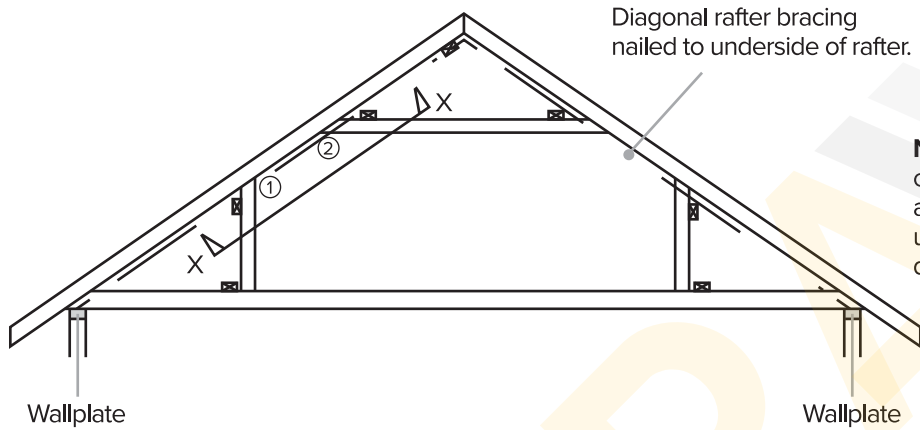
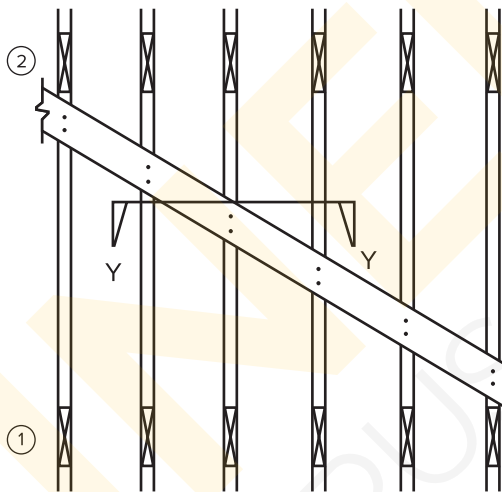


Rafter Diagonal Bracing for Attic Trusses

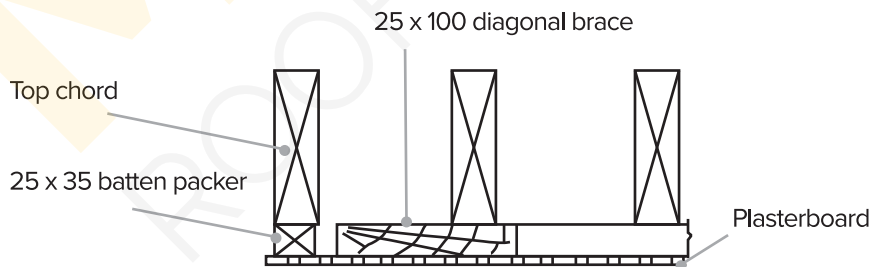


NOTE! It is not acceptable to omit the rafter diagonal bracing and fix ply to the topside or underside. Please contact us to discuss any alterations.



SECTION X-X

Run diagonal rafter brace through to wallplate and batten out underside of rafter between ① and ② using 25mm x 35mm timber to receive plasterboard or other finish.



SECTION Y-Y

Follow Us

