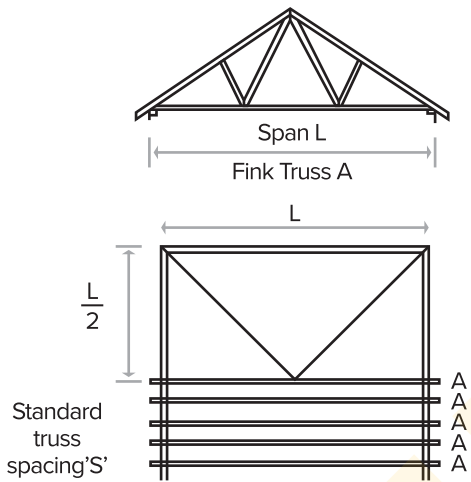


Erection of a Standard Hipped End

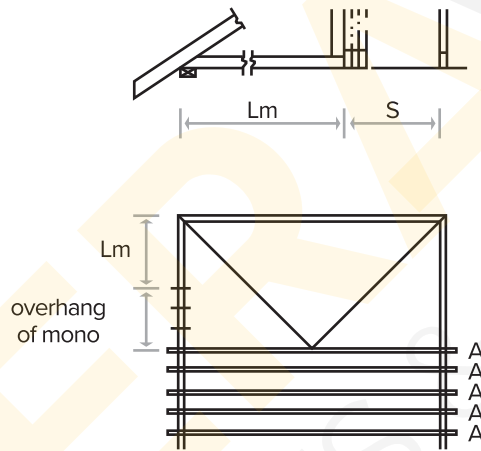
Detail to be read in conjunction with Minera issued roof truss layout.

- Note!** This is only a typical detail as a guide on how to construct the hip end that you have on site.
- These marks next to the trusses do not correspond with the truss marks of your roof layout. These marks are only to guide you. Always refer to your truss layout.

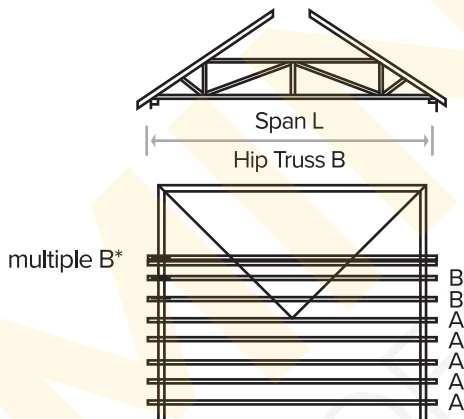
a) Erect Standard Trusses



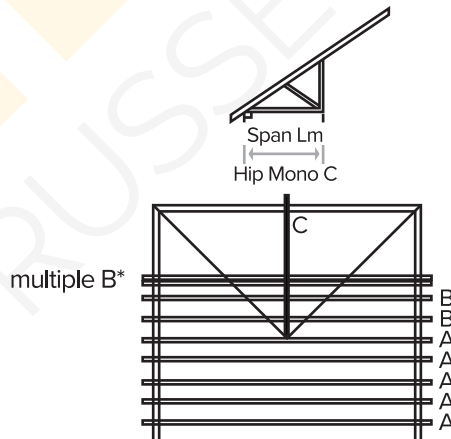
b) Mark out girder and intermediate positions



c) Erect girder and intermediate trusses

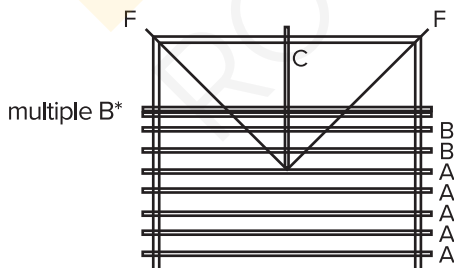


d) Fix central mono truss

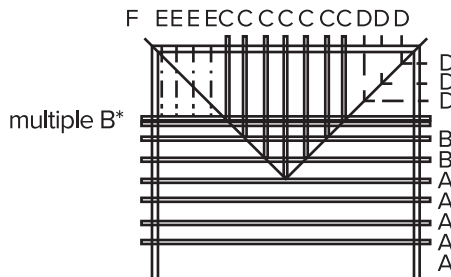


* Must be fixed together on site - see your fixing details.

e) Fix hip boards



f) Erect remaining mono trusses



Jack Rafters 'D' cut onto hip board and birdsmouthed over wallplate (or nailed to side of ceiling joist - where applicable).

Ceiling joists 'E' supported on multiple 'B' and wallplate.