

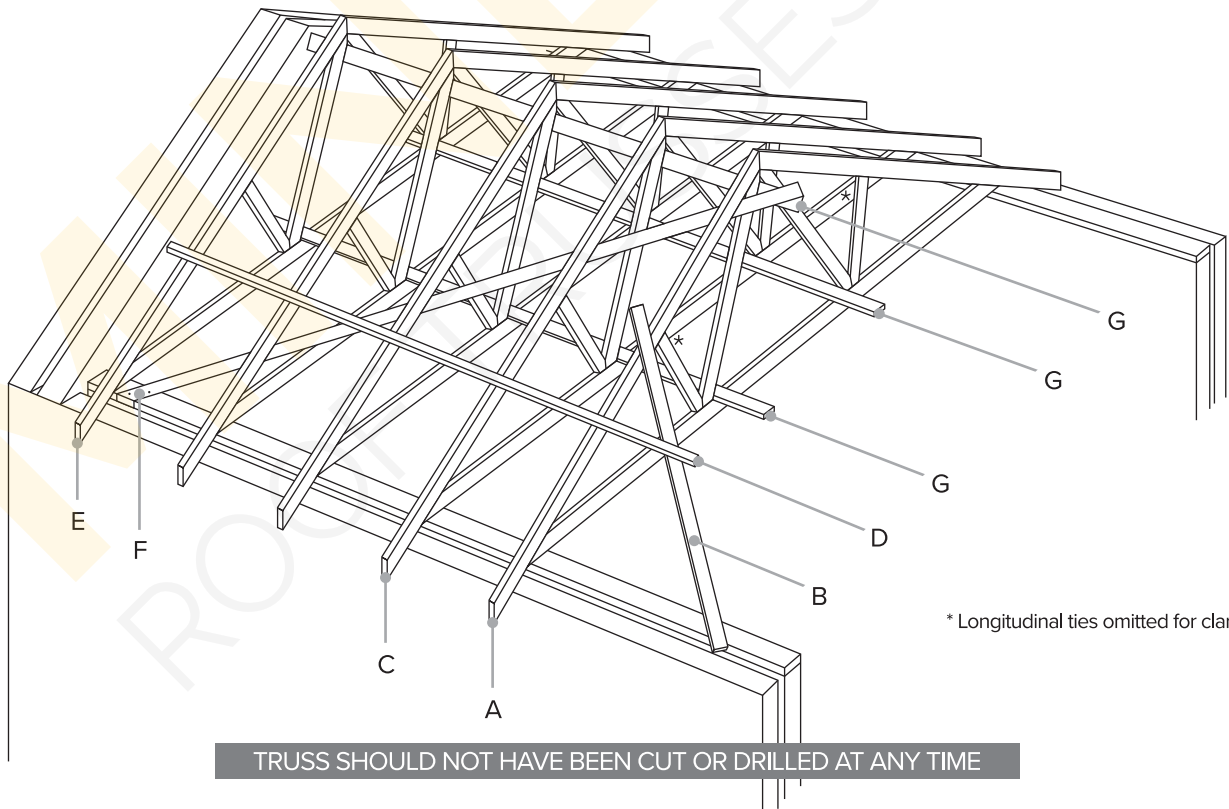
## Erection Details

### Erection

The following procedure is recommended for the erection of trussed rafters

- 1 Mark the centres of trusses along each wallplate.
- 2 The first truss to be erected, designated 'A', occurs at the uppermost point of the diagonal brace 'F'. For further information on this bracing, see the section Rafter Diagonal Bracing for Duo-Pitch Trusses.
- 3 Truss 'A' should be correctly plumbed and held in position with temporary raking braces 'B' which are nailed to the top chord of the truss and to the wallplate. For purposes of clarity, only one brace is shown. They should occur at each side and be of sufficient length to give adequate temporary stability whilst erecting the remaining trusses up to the gable wall.
- 4 Position truss 'C' and brace back to the truss 'A' with temporary battens 'D' at suitable intervals along the rafters and ceiling ties.
- 5 Proceed in this manner until the last truss 'E' is reached.
- 6 Apply diagonal braces 'F' making sure that a firm connection is obtained by using nails at the apex of the truss and at the wallplate level. Only one brace has been indicated in purposes of clarity.
- 7 Finally apply longitudinal members at all nodes (see Longitudinal Bracing section).
- 8 Diagonal bracing should run continuously along a roof so that all roof trusses are fixed to a diagonal brace. Repeat this erection procedure for each set of diagonal braces.

**PLEASE NOTE:** The truss designated marks do not refer to your actual truss - these are just for a guide.



TRUSS SHOULD NOT HAVE BEEN CUT OR DRILLED AT ANY TIME

Follow Us

