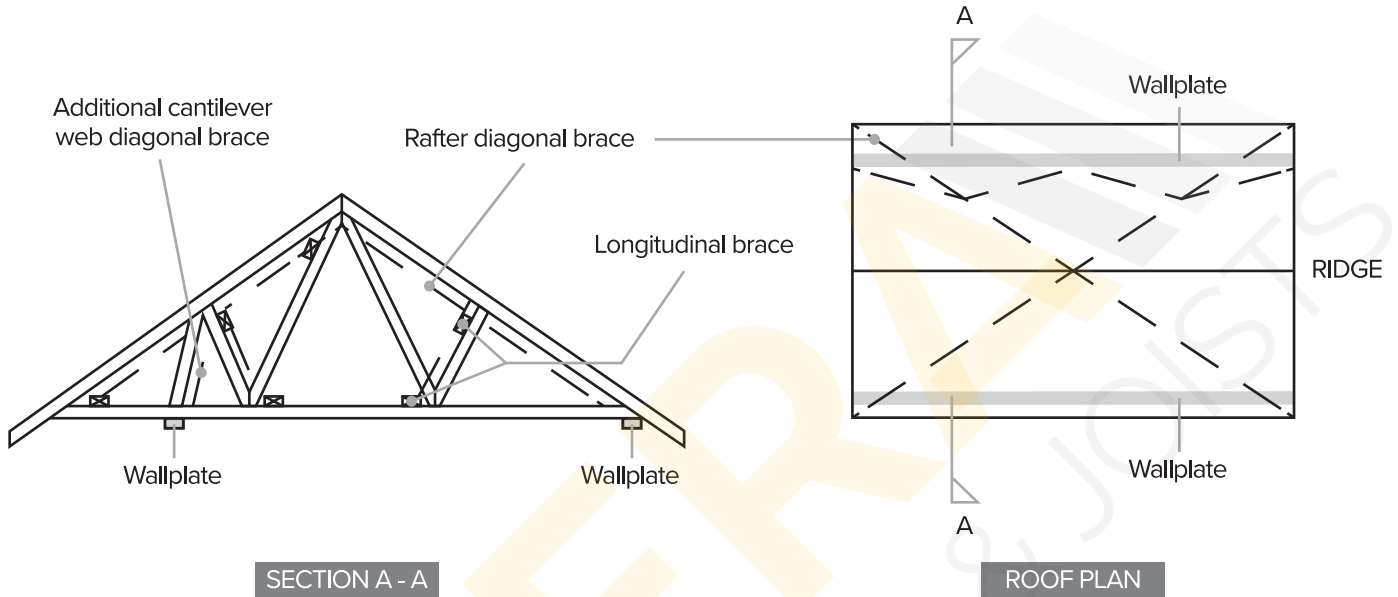


Additional Stability for Cantilever Trusses



In addition to the rafter diagonal brace 25 x 100 diagonal bracing must be fixed to all cantilever webs using 2 No. 3.35 x 75mm long galvanised wire nails. Bracing should be at approximately 45° and continue along the whole roof.

