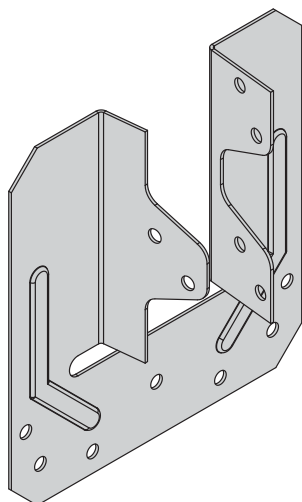


TC

Truss Clip



The TC is our standard truss clip for securing trussed rafters to single wall plates.

Features & Benefits

- Eliminates damage from skew nailing into the wall plate

Material Specification

- Galvanised mild steel - Z275

Fixings

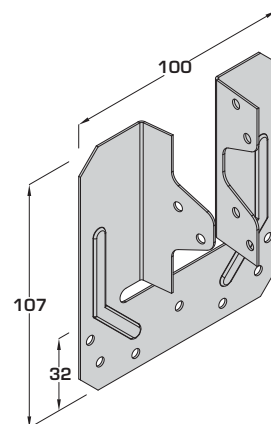
Code	Description	Box Qty
547389	3.4 x 35mm Square Twist Nails - LOOSE	500
141185	3.4 x 35mm Square Twist Nails - COLLATED*	2,500

*For use with Paslode PPN35Ci

Available Sizes

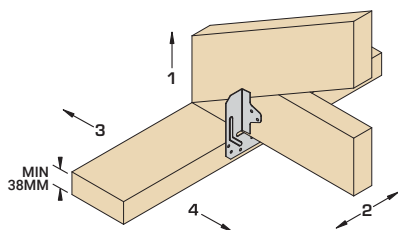
Product Code	Truss Width (mm)
TC-38	35
TC-50	44-47

Dimensions (mm)

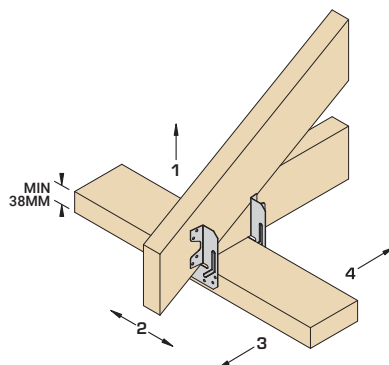


In Situ

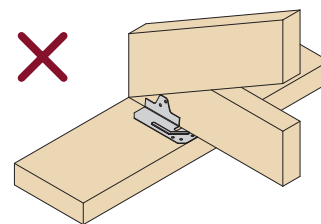
1 No truss clip***



2 No truss clips***



! Incorrect Installation



***Also suitable to fix to the outside of the wall plate depending on truss heel detail.

(Plates omitted for clarity)

Do not install truss clips horizontally onto the wall plate.

Load Data

Product Code	Fixings (3.4 x 35mm)		Load Direction	Characteristic Capacity (kN)
	Header	Incoming		Solid Timber Header (Min C16)
TC-38/TC-50	6	6	1	5.13 (10.26**)
			2	2.00 (4.00**)
			3	0.70 (2.37**)
			4	1.67 (2.37**)

**Values for 2 No truss clips.