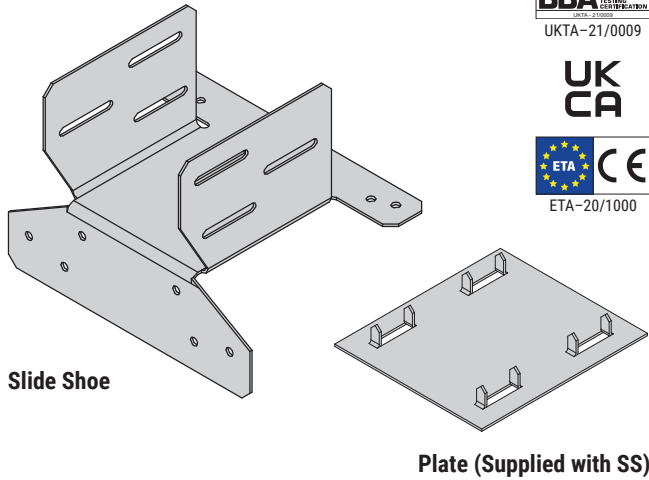


SS

Slide Shoe



Slide Shoe

Plate (Supplied with SS)

The SS allows for a secure fixing and horizontal movement between raised tie/scissor trusses and the wallplate.

Features & Benefits

- Provides a maximum of 26mm lateral movement without compromising its resistance to uplift

Material Specification

- Galvanised mild steel – Z275

Fixings

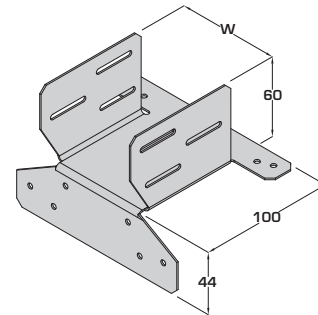
Code	Description	Box Qty
547389	3.4 x 35mm Square Twist Nails – LOOSE	500
141185	3.4 x 35mm Square Twist Nails – COLLATED*	2,500

*For use with Paslode PPN35Ci

Available Sizes

Product Code	Truss Width (mm)	Hanger Width (W) (mm)
SS-38	35	38
SS-50	47	50
SS-75	70 (2 ply 35)	75
SS-100	94 (2 ply 47)	100
SS-150	141 (3 ply 47)	150
SS-200	188 (4 ply 47)	200

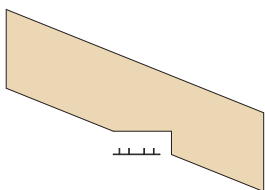
Dimensions (mm)



Installation Instructions

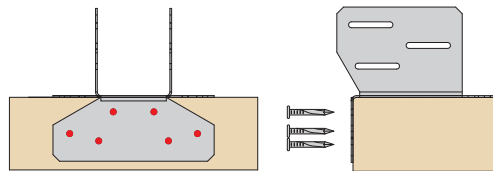
Typically used on one or both ends of the truss as determined by the Truss Designer.

Stage 1



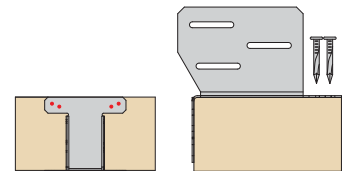
Tap bearing plate into position on underside of truss bearing area

Stage 2



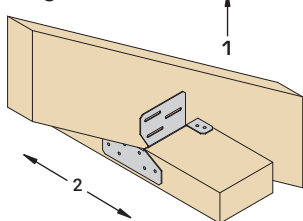
Position the slide shoe on the wall plate and nail to either face with 6No 3.4x35mm square twist nails

Stage 3



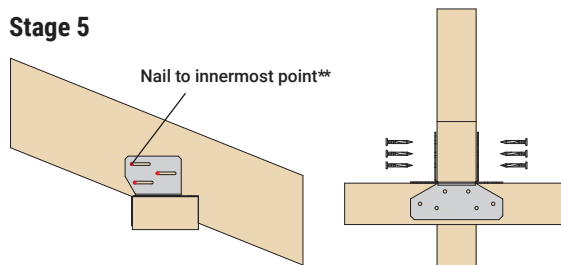
Nail to the top of the wall plate with 4No 3.4x35mm square twist nails

Stage 4



Locate truss in position

Stage 5



Nail through side flanges into the rafter with 6No 3.4x35mm square twist nails

**Allows the rafter to deflect and therefore there is no horizontal thrust transferred into the wall head

Load Data

Product Code	Fixings (3.4 x 35mm)		Load direction	Characteristic Capacity (kN)
	Header	Incoming		Solid Timber Header (Min TR26)
SS-38, SS-50, SS-75, SS-100, SS-150, SS-200	10	6	1	4.10
			2	2.60