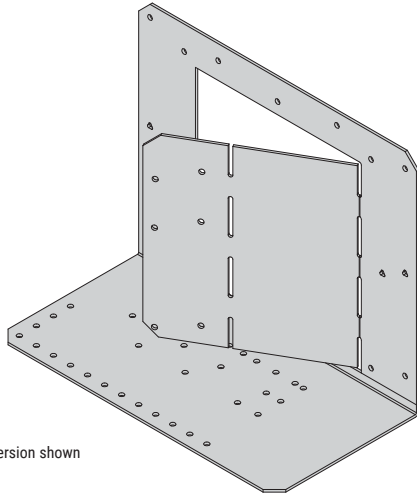


VS

Variable Skewed Timber Hanger



Right hand version shown

The VS hanger is used to support joists and trusses up to 97mm wide from solid timber members in skewed applications between 30–90°.

Features & Benefits

- Unique hanger design provides a variable skew angle between 30–90°
- No need to mitre cut joists
- Angle scale on base to ease adjustment

Material Specification

- Galvanised mild steel – Z275

Fixings

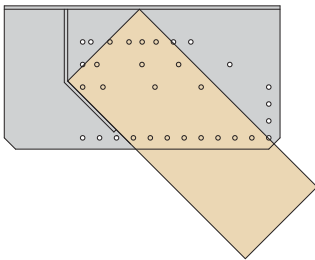
Code	Description	Box Qty
547389	3.4 x 35mm Square Twist Nails – LOOSE	500
141185	3.4 x 35mm Square Twist Nails – COLLATED*	2,500

*For use with Paslode PPN35Ci

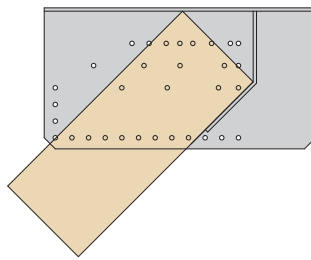
Available Sizes

Min Joist Width (mm)	Max Joist Width (mm)	Handing	Hanger Depth (mm)			
			135	175	195	220
38	97	Right	VS-135-R	VS-175-R	VS-195-R	VS-220-R
38	97	Left	VS-135-L	VS-175-L	VS-195-L	VS-220-L
>97		See FTHIS on page 116				

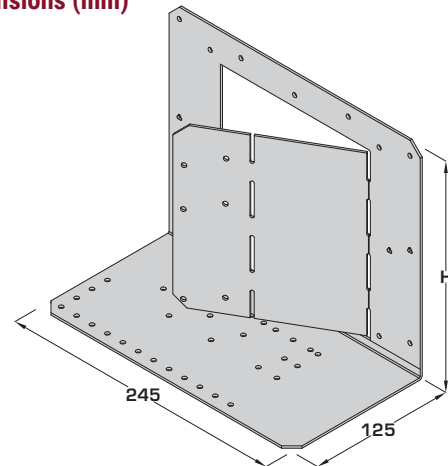
Left Hand



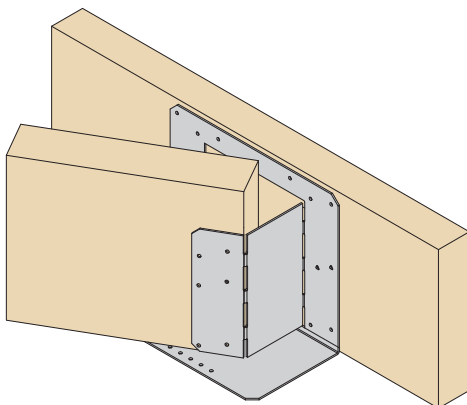
Right Hand



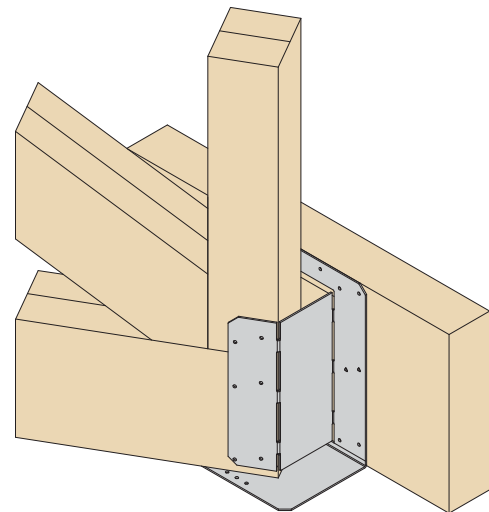
Dimensions (mm)



In Situ



Solid timber joists must be full depth of hanger



Bottom chord must be deeper than hanger or vertical required for trusses

VS

Variable Skewed Timber Hanger

Load Data

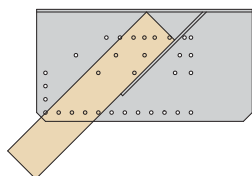
Hanger Depth (mm)	Fixings (3.4 x 35mm)		Characteristic Capacity (kN)	
			Uplift	Solid Timber Header (Min TR26)
(Depth Dependant Only)	Header	Incoming		
135	11	4	2.50	4.30
175, 195, 220	11	6	3.75	5.51

Installation Instructions

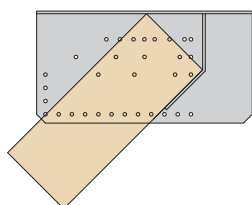
Stage 1

Adjust side plate to approximate angle between 30° and 90° using scale on base of hanger, bending only once. Please refer to the angle table below to determine if one or two bends are required.

Single Bend



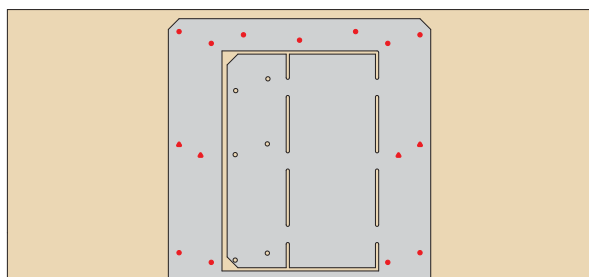
Double Bend



Joist Width (mm)	Double Bend	Single Bend
35	30-90°	n/a
38	30-90°	n/a
44	30-90°	n/a
45	30-90°	n/a
47	30-90°	n/a
51	>32-90°	30-32°
53	>32-90°	30-32°
58	>34-90°	30-34°
59	>34-90°	30-34°
60	>35-90°	30-34°
63	>37-90°	30-37°
70	>39-90°	30-39°
72	>40-90°	30-40°
76	>42-90°	30-42°
88	>46-90°	30-46°
89	>46-90°	30-46°
90	>46-90°	30-46°
94	>48-90°	30-48°
97	>49-90°	30-49°

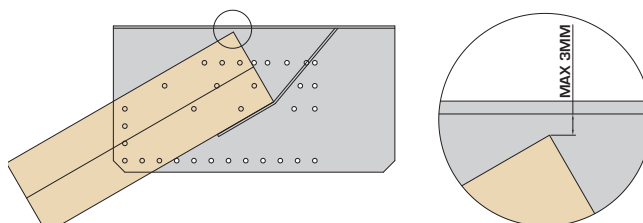
Stage 2

Position hanger against face of joist/truss and nail using 11No 3.4 x 35mm square twist nails.



Stage 3

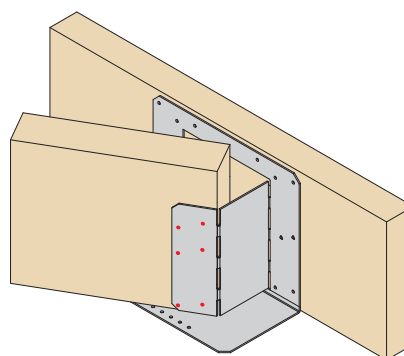
Locate incoming member and adjust side plate to correct angle, ensuring maximum gap between incoming joist/truss and back plate is no greater than 3mm.



Max - 3mm gap at any given time

Stage 4

Fix to incoming member using 6No 3.4 x 35mm square twist nails (4No for VS-135).



Please ensure that 1No inner nail hole (indicated in red) and 1No outer nail hole (indicated in red) are filled on the underside with 3.4 x 35mm square twist nails.

