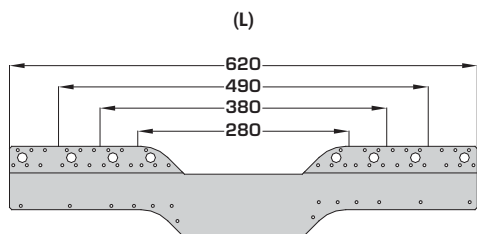


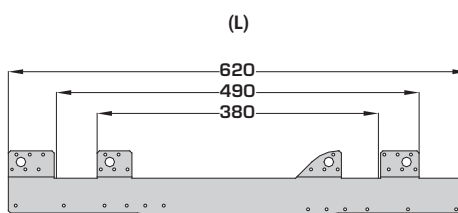
MH RANGE

Multi Hanger

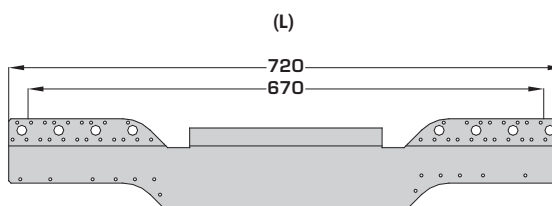
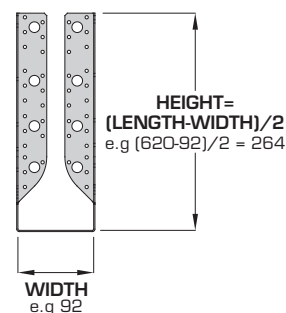
Hanger Coding



MHE/MHI FLAT BLANK
(280 - 620)



MHIC FLAT BLANK



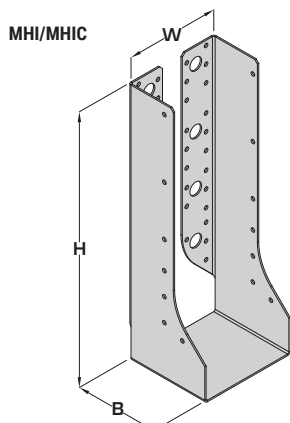
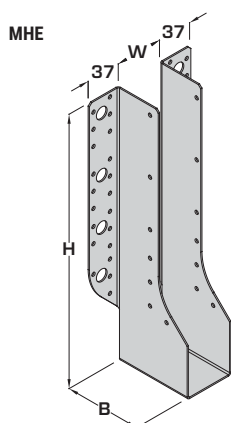
MHE/MHI FLAT BLANK
(670 - 720)

Example: **MHI620-92-264**

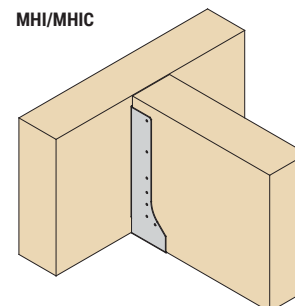
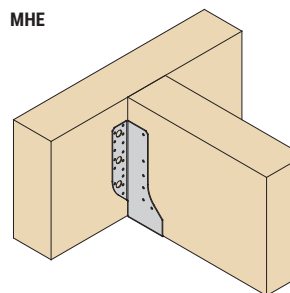
L W H

L = length W = width H = height

Dimensions (mm)



In Situ



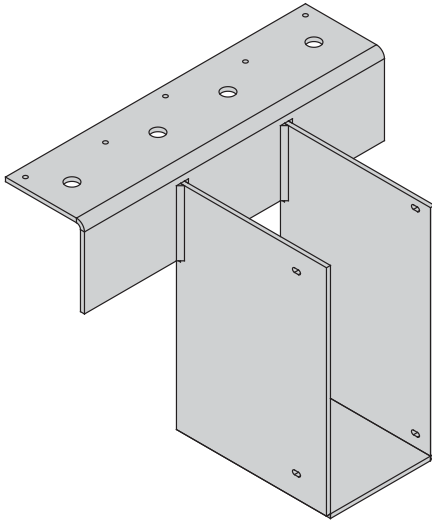
(Incoming member must be notched to accommodate bolts heads when bolting)

Load Data

Product Code	Dimensions (mm)			Fixings			Characteristic Capacity (kN)	
	W	Max	B	Header		Incoming Nails (3.4 x 35mm)	Uplift	Solid Timber Header (Min TR26 / C27)
				Nails (3.4 x 35mm)	Bolts (M12)			
MHE/MHI280	39	100	85	8	0	6	4.67	10.12
				0	2	6		10.33
MHE/MHI380	39	150	85	18	0	10	8.49	20.07
				0	4	10		17.13
MHE/MHI490	39	100	85	30	0	12	14.72	25.66
				0	6	12		33.21
MHE/MHI490	110	150	85	30	0	12	14.72	25.66
				0	6	12		27.65
MHE/MHI620	39	100	85	42	0	14	14.72	32.77
				0	8	14		35.12
MHE/MHI620	122	150	85	42	0	14	14.72	25.92
				0	8	14		35.12
MHE/MHI620	183	198	85	42	0	14	14.72	32.77
				0	8	14		35.12
MHE/MHI670	210	250	85	42	0	14	14.72	32.77
				0	8	14		35.12
MHE/MHI720	300	300	85	42	0	14	14.72	32.77
				0	8	14		35.12
MHIC380	39	78	82	9	0	10	8.49	10.55
MHIC490	39	78	82	16	0	12	14.72	16.76
MHIC620	39	78	82	21	0	14	14.72	21.26

FTHI

Flexible Timber Hanger



The FTHI hanger is designed to support joists, trussed rafters and solid timber members in a top fix only application for high load situations.

Features & Benefits

- Increased top flange to allow for greater load distribution
- Options available for skewed, offset, dropped and straddle connections

Material Specification

- 4mm mild steel with zinc phosphate undercoat with an organic bituminous top coat to BS EN845-1:2013+A1:2016

Fixings

Code	Description	Box Qty
547389	3.4 x 35mm Square Twist Nails - LOOSE	500
141185	3.4 x 35mm Square Twist Nails - COLLATED*	2,500

*For use with Paslode PPN35Ci

Available Sizes

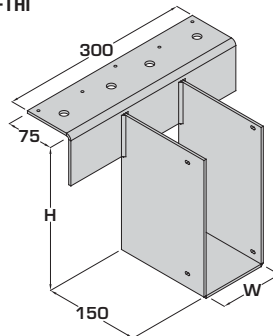
Hanger Widths (mm):

39, 46, 50, 61, 65, 72, 75, 78, 92, 100, 122, 125, 130, 138, 144, 150, 183, 198, 222, 225, 250, 300

Hanger Depths (mm):

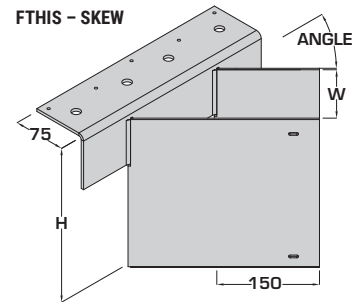
140, 165, 195, 200, 210, 220, 225, 230, 235, 241, 245, 253, 280, 302, 350, 356, 380, 393, 400, 418, 450

FTHI



FTHI-W-H
Example:
FTHI-100-245

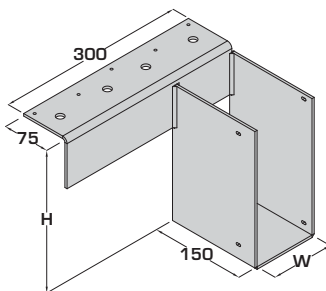
FTHIS - SKEW



FTHIS-W-H-OFFSET DIRECTIONAL-ANGLE
Example: FTHIS-100-245-L-45

(skews from 30-87.5° in 2.5° increments, with 5mm automatically added to ordered width to allow for tolerance)

FTHIO - OFFSET

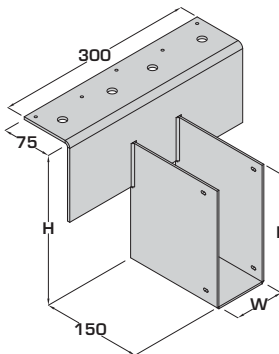


Left hand version shown

FTHIO-W-H-OFFSET DIRECTION

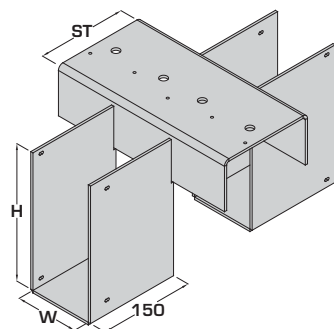
Example:
FTHIO-100-245-L
FTHIO-100-245-R

FTHID - DROPPED



FTHID-W-H-F
Example:
FTHID-100-245-220

FTHIST - STRADDLE



FTHIST-W-H-ST
Example:
FTHIST-100-245-140

Load Data

Product Code	Fixings (3.4 x 35mm)		Characteristic Capacity (kN)	
	Header	Incoming	Uplift	LVL or GL (Min GL28)
FTHI	5	2	2.00	42.00

- 12mm diameter holes not required for this application