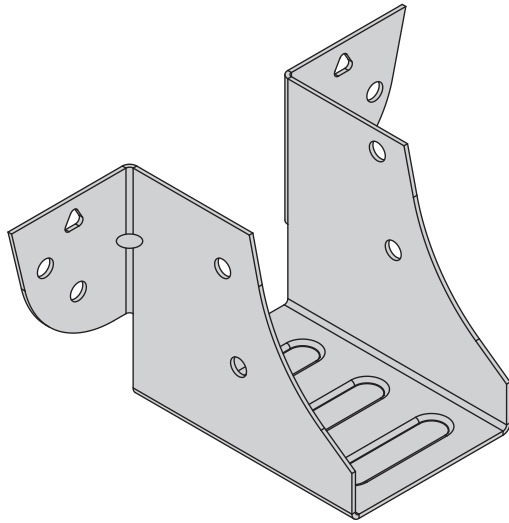


KM

Mini Hanger



The KM hanger is used to support joists and trusses where a compact economical connector is required.

Features & Benefits

- New and improved design achieves higher load carrying capacities
- Additional side fixings allow for increased uplift capacity
- Optional triangular holes for increased performance on solid headers
- Rear location tab to assist with installation

Material Specification

- Galvanised mild steel – Z275

Fixings

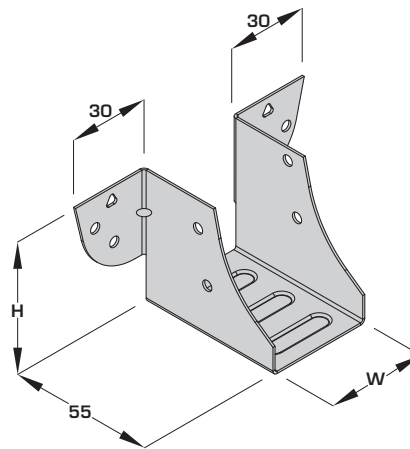
Code	Description	Box Qty
547389	3.4 x 35mm Square Twist Nails – LOOSE	500
141185	3.4 x 35mm Square Twist Nails – COLLATED*	2,500

*For use with Paslode PPN35Ci

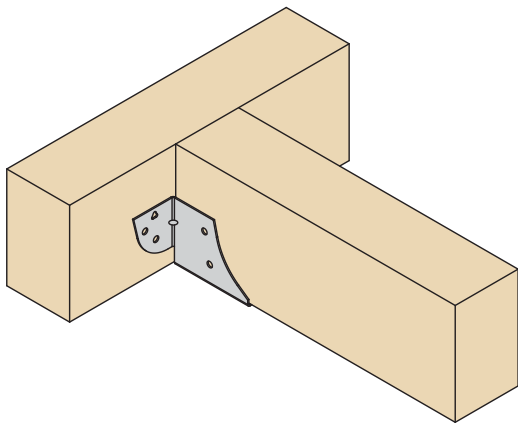
Available Sizes

Product Code	Hanger Width (W) (mm)	Hanger Depth (H) (mm)
KM-38	38	49
KM-44	44	46
KM-50	50	43

Dimensions (mm)



In Situ



Load Data

Product Code	Fixings (3.4 x 35mm)		Characteristic Capacity (kN)**		Minimum Supporting Depth (mm)	Minimum Supported Depth (mm) to achieve Full Uplift Capacity
	Header	Incoming	Uplift	Solid Timber Header (Min TR26/C27)		
KM-38	6	4	2.20	3.41	49	49
KM-44					46	46
KM-50					43	43

**Values obtained from tests carried out by ITW Construction Products Offsite and calculated in accordance with ETAG 015.

Values apply to new design only. Please contact Technical Support for further information if required.