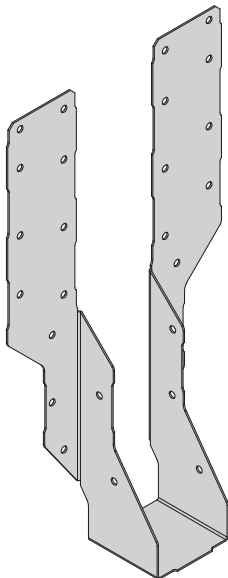


KH

Kwiki Hanger Standard Leg



The KH hanger is designed for simple solid timber to timber connections.

Features & Benefits

- Adjustable leg length accommodates varying timber depths
- Light gauge steel eliminates the need for notching timber

Material Specification

Galvanised mild steel – Z275

Fixings

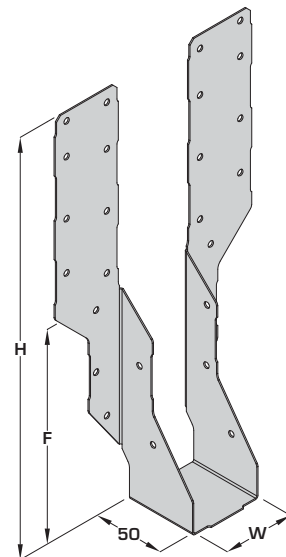
Code	Description	Box Qty
547389	3.4 x 35mm Square Twist Nails – LOOSE	500
141185	3.4 x 35mm Square Twist Nails – COLLATED*	2,500

*For use with Paslode PPN35Ci

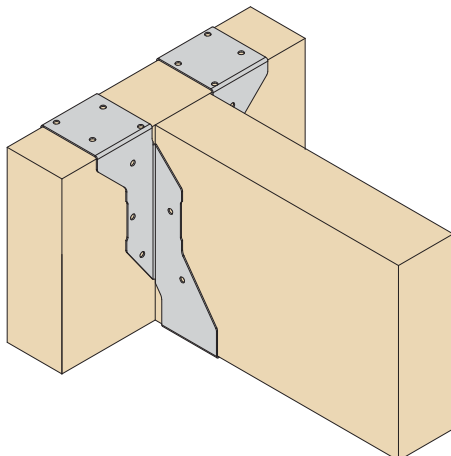
Available Sizes

Product Code	Minimum Header Depth (mm)	Hanger Width (W) (mm)	Hanger Depth (H) (mm)	Stirrups Height (F) (mm)
KH-38	140	38	271	140
KH-44	140	44	268	137
KH-47	140	47	267	135
KH-50	140	50	265	134
KH-63	140	63	258	128
KH-75	140	75	277	122
KH-92	120	92	269	111
KH-100	120	100	265	109
KH-150	89	150	250	84

Dimensions (mm)



In Situ



Product not suitable for use with I-Joists or Open Web Joists.

'F' dimension does not support 60% of the joist depth.

Load Data

Product Code	Fixings (3.4 x 35mm)		Characteristic Capacity (kN)	
	Header	Incoming	Uplift**	Solid Timber Header (Min TR26/C27)
KH-38, KH-44, KH-47, KH-50, KH-63, KH-75, KH-92, KH-100, KH-125, KH-150	24	5	4.64	12.48

**Supported timber must be at least stirrup height to achieve full uplift capacity. For reduced fixing capacity please contact Cullen Technical.