

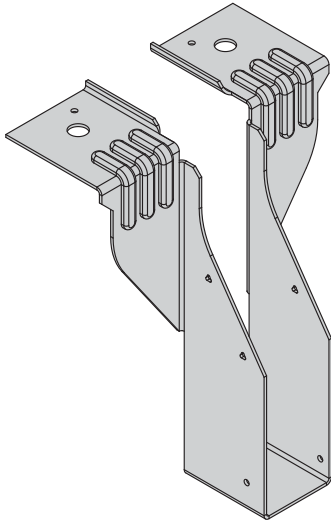
# JHI

## Masonry Joist Hanger

European Community Registered Design



The JHI hanger is a traditional timber to masonry hanger range designed for use with I-Joists, open web & solid timber joists/trusses.



### Features & Benefits

- The same air leakage values of a wall with no protrusions, forming a major contribution towards Part L1 Building Regulations
- Approved and tested for use with H&H Thin Joint System (Contact Technical for approved installation guide)

### Material Specification

- Galvanised mild steel - Z600

### Fixings

Fixings required into incoming member only. No fixings required into masonry.

Code	Description	Box Qty
547389	3.4 x 35mm Square Twist Nails - LOOSE	500
141185	3.4 x 35mm Square Twist Nails - COLLATED*	2,500

### Available Sizes - JHI/JHIST/JHIR<sup>(1)</sup>

\*For use with Paslode PPN35Ci

Hanger Width (W) (mm)	Hanger Depth (H) (mm)							
	150	195	225	240	250	300	350	400
39	JHI-39-150	JHI-39-195	JHI-39-225 <sup>(1)</sup>	JHI-39-240	-	JHI-39-300	JHI-39-350	JHI-39-400
46	JHI-46-150	JHI-46-195	JHI-46-225 <sup>(1)</sup>	JHI-46-240	JHI-46-250	JHI-46-300	-	-
50	JHI-50-150	JHI-50-195	JHI-50-225 <sup>(1)</sup>	JHI-50-240	JHI-50-250	JHI-50-300	-	-
55	-	-	JHI-55-225	-	-	JHI-55-300	-	-
61	-	-	JHI-61-225	JHI-61-240	-	JHI-61-300	-	-
65	-	-	JHI-65-225	JHI-65-240	-	JHI-65-300	-	-
72	-	-	JHI-72-225	JHI-72-240	-	JHI-72-300	-	-
75	JHI-75-150	JHI-75-195	JHI-75-225 <sup>(1)</sup>	JHI-75-240	JHI-75-250	JHI-75-300	JHI-75-350	JHI-75-400
92	-	-	JHI-92-225 <sup>(1)</sup>	-	-	JHI-92-300	-	-
100	JHI-100-150	JHI-100-195	JHI-100-225 <sup>(1)</sup>	JHI-100-240	JHI-100-250	JHI-100-300	JHI-100-350	JHI-100-400
110	-	-	JHI-110-225	-	-	-	-	-
122	-	-	JHI-122-225	-	-	-	-	-
125	-	JHI-125-195	JHI-125-225	JHI-125-240	JHI-125-250	JHI-125-300	-	-
130	-	-	-	JHI-130-240	-	-	-	-
150	-	JHI-150-195	JHI-150-225	JHI-150-240	JHI-150-250	JHI-150-300	-	-
198	-	-	JHI-198-225	JHI-198-240	JHI-198-250	JHI-198-300	-	-

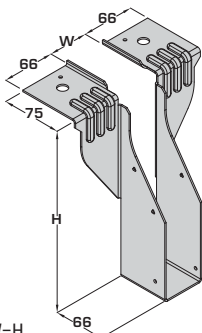
(1) Sizes available as return (to suit 100mm block work only)



**ALL RETURN AND NON-RETURN HANGERS REQUIRE 675MM OF MASONRY ABOVE**

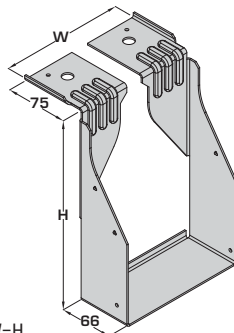
### Dimensions (mm)

#### JHI - 39-138MM WIDE



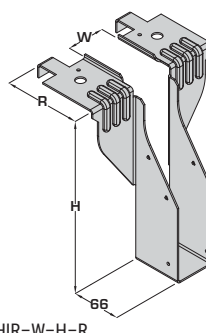
JHI-W-H  
Example: JHI-50-225

#### JHI - 144-198MM WIDE



JHI-W-H  
Example: JHI-150-225

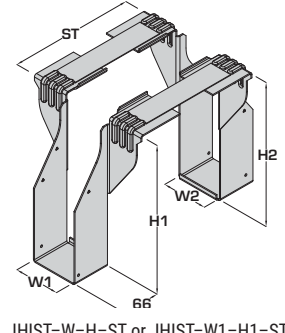
#### JHIR - RETURN



JHIR-W-H-R  
Example: JHIR-50-225-100

**Only sizes marked (1) available**  
(Returns available to suit 100mm block work only)

#### JHIST - STRADDLE



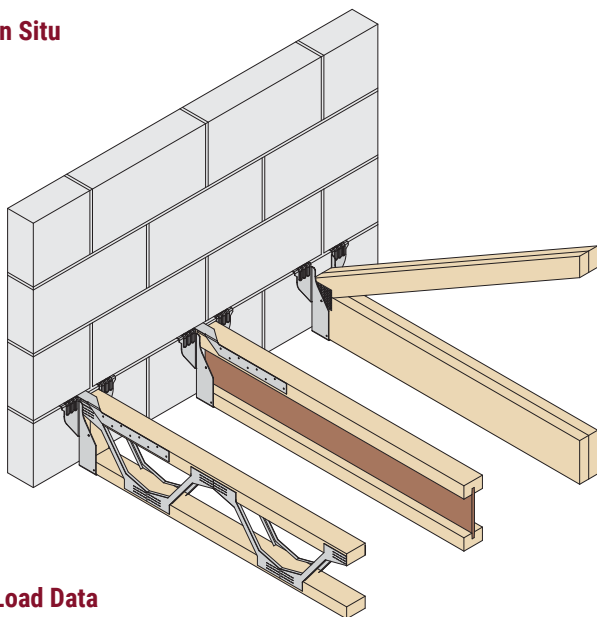
JHIST-W-H-ST or JHIST-W1-H1-ST-W2-H2  
Example: JHIST-50-225-100  
Example: JHIST-50-225-100-75-225

# JHI

## Masonry Joist Hanger

European Community Registered Design

### In Situ



- Suitable for use with Open Web Joists, I-Joists and trusses
- Floor can be propped with acroprops and fully decked but must not be fully loaded until the masonry above has fully cured



- A minimum of **3 courses (675mm)** of masonry above is required for hanger to achieve loads stated
- The masonry above must be fully cured for **28 days** prior to loading the floor
- All hangers in this range do not provide restraint, therefore restraint straps may be required for joist applications (see pages 128 – 129)

### Load Data

Product Code	Masonry Above (Min 675mm)	Fixings (3.4 x 35mm)	Characteristic Capacity (kN)				
			Uplift	Masonry Crushing Strength			
				2.8N/mm <sup>2</sup>	3.5N/mm <sup>2</sup>	7.0N/mm <sup>2</sup>	
Incoming	All widths	All widths	39 – 100mm wide	122 – 198mm wide			
JHI JHIR JHIST	Yes	2	2.00	11.17	13.97	23.04	13.97
		5 <sup>(2)</sup>	4.50				

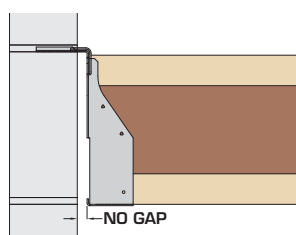
### Enhanced Uplift<sup>(2)</sup>

- Fixings into the incoming joist/truss are required to resist uplift
- Increased uplift figures can be achieved by nailing the additional triangular nail holes into the incoming member
- Web stiffeners required for I-Joists, 2No end blocks required for Open Web Joists & minimum bottom chord depth/vertical required for trusses
- Requires minimum **full storey** of masonry above to achieve values

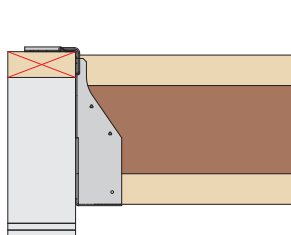
Hanger Depth (mm)	Min Timber Depth (mm)
150	84
175 – 195	122
225 – 240	172
250	195
300	235
350	300
400	350



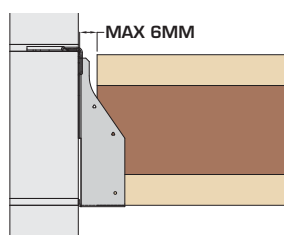
### Incorrect Installation



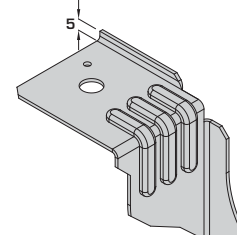
Do not install the hanger with a gap between the hanger and the face of the block work.



Do not install the hanger onto a timber wall plate.



Do not install the hanger with a gap exceeding 6mm between the joist/truss and the hanger.



Do not flatten the 5mm upstands on the hanger top flanges. These are critical to the performance.