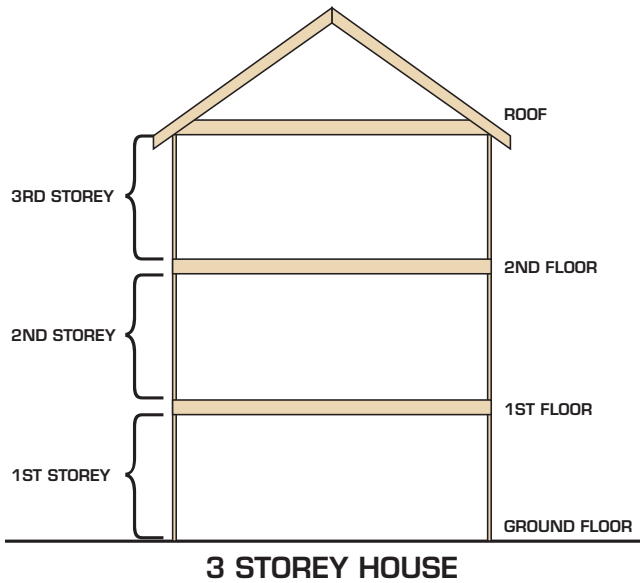


Restraint Straps (Domestic Floors)



Lateral restraint of the walls can be provided by the floor, the restraint must be provided parallel and perpendicular to the floor joists.

The type of restraint straps required and the centres at which they are placed depend on the joist end detail and region in which the house is built.

The information we provide has been compiled using the minimum requirement from Building Regulations 2010 approved document A, Scottish Building regulation domestic, NHBC standards and British Standard BS 5628-1;2005 Annex D.

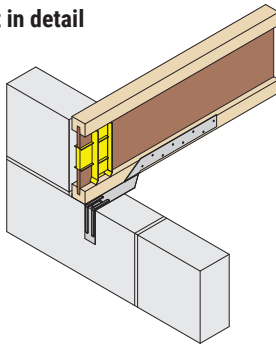
These have been issued as guidance only, the overall responsibility lies with the Building Designer.

For 3rd floor and above please refer to the building standards or building designer for guidance.

All straps require a full storey of block work above to achieve the full 8kN declared load capacity.

Parallel Restraint

PSB strap with built in detail

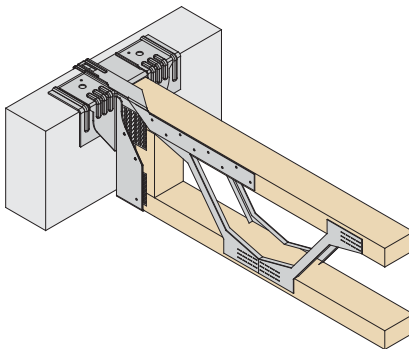


- The strap should be nailed with a minimum of 8No 3.4x35mm Square Twist Nails into the joist top flange/chord

Detail	Region	Floor Level		
		Ground Floor	1st Floor	2nd Floor
Built in	England & Wales	Where joists have a minimum bearing of 90mm no additional restraint is required (additional PSB straps required each side of opening where openings exceed 600mm)		PSB straps required at 2m max centres
	Scotland			

Please refer to page 139 for further information on PSB straps

PST strap with non-restraint hanger

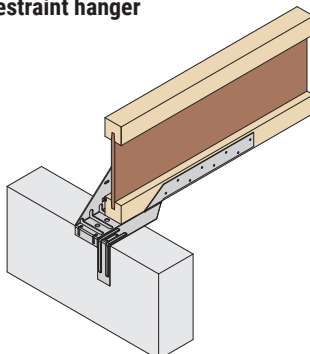


- The strap should be nailed with a minimum of 8No 3.4x35mm Square Twist Nails into the joist top flange/chord

Detail	Region	Floor Level		
		Ground Floor	1st Floor	2nd Floor
Non-Restraint Hangers (JHI/JHIR/RB-JHI/RB-JHIR)	England & Wales	PST or PSC required at 2m max centres		
	Scotland	PST or PSC required at 2m max centres	PST or PSC required at 1.25m max centres	

Please refer to page 139 for further information on PST/PSC straps

PSB strap with restraint hanger



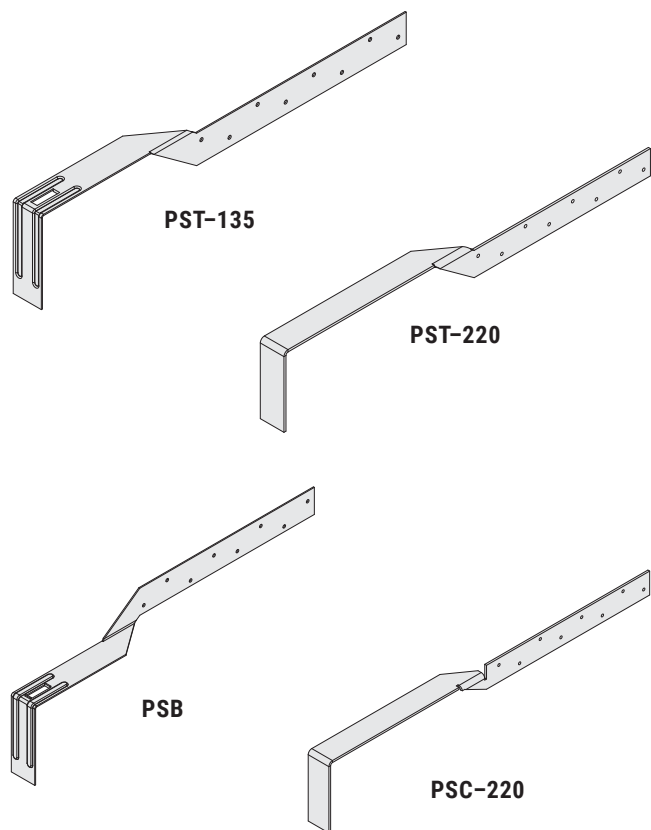
- The strap should be nailed with a minimum of 8No 3.4x35mm Square Twist Nails into the joist bottom flange/chord

Detail	Region	Floor Level		
		Ground Floor	1st Floor	2nd Floor
Restraint Hangers (RA/HRAD/RADS)	England & Wales	No additional restraint is required (additional PSB straps required each side of opening where openings exceed 600mm)		PSB required at 2m max centres
	Scotland			

Please refer to page 139 for further information on PSB straps

PS RANGE

Pre Formed Strap



The PS range provides required parallel restraint to block work for joist hangers and, where required, build-in details.

Features & Benefits

- Typically used for lateral restraint
- Straps suit various blockwork sizes

Approvals

- CE marked and tested in accordance with EN846-4
- Meets NHBC Technical requirements

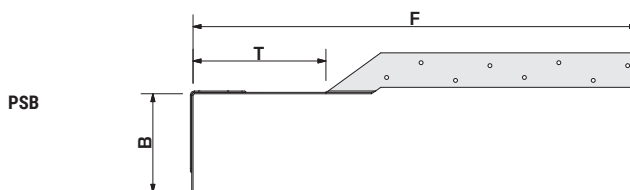
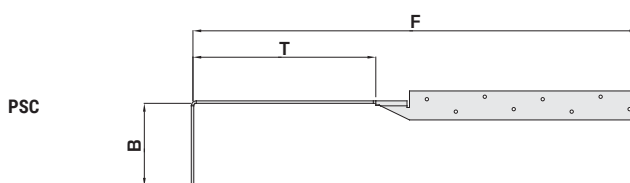
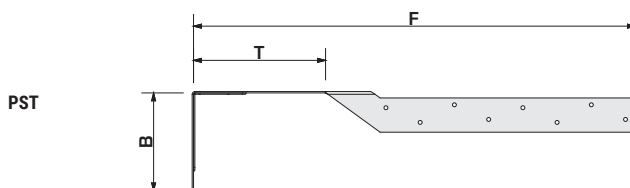
Fixings

Code	Description	Box Qty
547389	3.4 x 35mm Square Twist Nails - LOOSE	500
141185	3.4 x 35mm Square Twist Nails - COLLATED*	2,500

*For use with Paslode PPN35Ci

Dimensions (mm)

4mm Ø holes



Available Sizes

Product Code	Minimum Block Work Width (mm)	Maximum Block Work Width (mm)	B (mm)	F (mm)	T (mm)
PST-135	100	125	100	451.7	135
PST-220	140	215	100	536.7	230
PSC-220	100	215	100	536.7	220
PSB	n/a	n/a	100	451.7	135

Please refer to page 131 for guidance on strap requirement

Strap Selection

Hanger Depth	I-Joist Depth (mm)					
	195/200	220	240	300	350/360	400
195	PST					
225		PST	PSC			
240			PST			
250						
300				PST		
350					PST	
400						PST

Hanger Depth	Open Web Joist Depth (mm)					
	195/202	219/230	253/254	304	375/380	418/424
195	PST					
225		PST	PSC			
240			PST			
250			PST			
300				PST		
350					PSC	
400						PSC

Load Data

Performance	Fixings	Characteristic Tensile Capacity (kN)
	(3.4 x 35mm)	
Built into 3.5N/mm ² block work & nailed to min C16 grade timber**	8No	8.00

**Full storey of block work required above the strap to meet performance.