

EWH Engineered Wood Hanger



Universal, flexible and simple to install, the EWH hanger is an engineered hanger that has been designed to fulfil a wide variety of installation options.

Suitable for use with combinations of the following:

Headers: I-Joists, Metal Web Joists, Solid Timber and SIP's.
Joists: I-Joists, Metal Web Joists, and Solid Timber.

Note: Solid timber refers to LVL, Glulam or Solid Sawn Timber.

Features:

- Choice of installation options - Top Fix, Face Fix.
- Hanger supplied with top flange straight so that it can be bent on site to accommodate a range of joist heights.
- Perforations allow the top flange to be snapped off for face fix installation option.
- Optional triangular holes for increased download and uplift performances.
- Seat tab for ease of installation.
- Seat tab can be bent upwards for installations where the header is deeper than the joist.

Material: Pre-galvanised mild steel.

Installation:

- Use all specified fasteners.
- For STANDARD installation all round holes to be filled.
- For ENHANCED installation, all round and triangular holes to be filled (excluding triangular hole in the hanger's seat tab).
- Refer to Installation Details section for more detailed information.

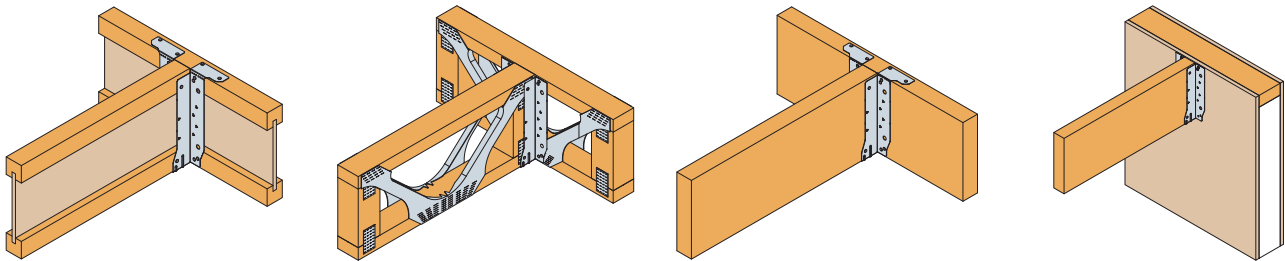
Joist to Hanger Height and Width Suitability

Joist Heights (mm)	Hanger Height (B) (mm)	Joist Widths [mm]													
		38 39	45	47	53	58	60	63	69 70	72	75 2x38 2x39	89 90 2x45	2x47	96 97	
		Hanger Widths (A) [mm]													
		40	47	50	56	61	63	66	72	75	79	91	96	99	
195, 200, 202	195	•	•	•	•	•	•		•	•	•	•	•	•	
219, 220, 225	219	•	•	•	•	•	•	•	•	•	•	•	•	•	
235, 240	235	•	•	•	•	•	•	•	•	•	•	•	•	•	
245, 250	245	•	•	•		•		•		•	•	•	•	•	
253, 254	253		•	•						•		•		•	
295	295								•					•	
300, 304	300	•	•	•	•	•	•	•	•	•	•	•	•	•	
350, 356	350		•	•			•		•	•		•	•	•	
360	360		•	•		•	•	•	•		•	•	•	•	
373	370			•						•				•	
400	400		•	•		•	•	•	•	•		•	•	•	
417, 421	417			•						•				•	

EWH Engineered Wood Hanger

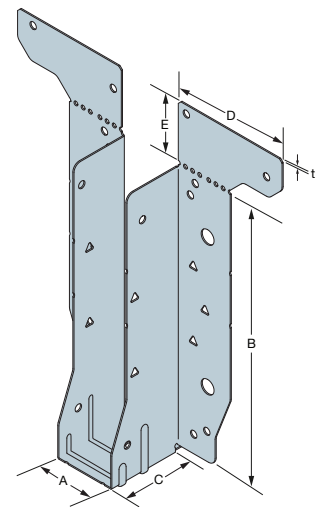
Joist to Hanger Height and Width Suitability

Joist Heights (mm)	Hanger Height (B) (mm)	Joist Widths [mm]											
		(2x53)	(2x58)	(2x60)	(122)	(2x63)	(140) (2x69) (2x70)	(2x72)	(147) (2x75)	(2x89) (2x90)	(2x96) (2x97)	(2x122)	(2x147)
		Hanger Widths (A) [mm]											
		109	119	122	125	128	142	146	150	182	196	246	296
195, 200, 202	195	•	•	•	•		•	•	•	•	•	•	•
219, 220, 225	219	•	•	•	•	•	•	•	•	•	•	•	•
235, 240	235	•	•	•			•	•		•	•		
245, 250	245		•				•	•		•	•		
253, 254	253				•			•	•		•	•	•
295	295												
300, 304	300	•	•	•	•	•	•	•	•	•	•	•	•
350, 356	350			•			•						
360	360		•	•						•			
373	370												
400	400		•	•						•			
417, 421	417												



Product Dimensions

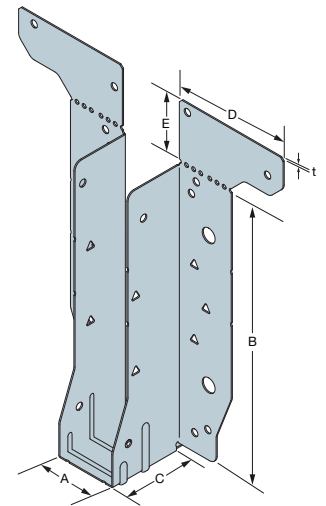
Hanger Range	Hanger Dimensions [mm]						Holes					
							Flange B			Flange C		Flange E
References	A	B	C	D	E	t	Ø5.0	Ø10.0	Tri	Ø5.0	Tri	Ø5.0
EWH195/40	40	195	49	80	40	0.9	8	4	6	4	4	4
EWH219/40	40	219	49	80	40	0.9	8	4	8	4	4	4
EWH235/40	40	235	49	80	40	0.9	8	4	10	4	4	4
EWH245/40	40	245	49	80	40	0.9	8	4	10	4	4	4
EWH300/40	40	300	49	80	40	0.9	8	4	10	4	4	4
EWH195/47	47	195	49	80	40	0.9	8	4	6	4	4	4
EWH219/47	47	219	49	80	40	0.9	8	4	8	4	4	4
EWH235/47	47	235	49	80	40	0.9	8	4	10	4	4	4
EWH245/47	47	245	49	80	40	0.9	8	4	10	4	4	4
EWH253/47	47	253	49	80	40	0.9	8	4	10	4	4	4
EWH300/47	47	300	49	80	40	0.9	8	4	10	4	4	4
EWH350/47	47	350	49	80	40	1.2	8	4	10	4	4	4
EWH360/47	47	360	49	80	40	1.2	8	4	10	4	4	4
EWH400/47	47	400	49	80	40	1.2	8	4	10	4	4	4
EWH195/50	50	195	49	80	40	0.9	8	4	6	4	4	4
EWH219/50	50	219	49	80	40	0.9	8	4	8	4	4	4
EWH235/50	50	235	49	80	40	0.9	8	4	10	4	4	4
EWH245/50	50	245	49	80	40	0.9	8	4	10	4	4	4
EWH253/50	50	253	49	80	40	0.9	8	4	10	4	4	4
EWH300/50	50	300	49	80	40	0.9	8	4	10	4	4	4
EWH350/50	50	350	49	80	40	1.2	8	4	10	4	4	4
EWH360/50	50	360	49	80	40	1.2	8	4	10	4	4	4



EWH Engineered Wood Hanger

Product Dimensions

Hanger Range	Hanger Dimensions [mm]						Holes					
							Flange B			Flange C		Flange E
References	A	B	C	D	E	t	Ø5.0	Ø10.0	Tri	Ø5.0	Tri	Ø5.0
EWH370/50	50	370	49	80	40	1.2	8	4	10	4	4	4
EWH400/50	50	400	49	80	40	1.2	8	4	10	4	4	4
EWH417/50	50	417	49	80	40	1.2	8	4	10	4	4	4
EWH195/56	56	195	49	80	40	0.9	8	4	6	4	4	4
EWH219/56	56	219	49	80	40	0.9	8	4	8	4	4	4
EWH235/56	56	235	49	80	40	0.9	8	4	10	4	4	4
EWH300/56	56	300	49	80	40	0.9	8	4	10	4	4	4
EWH195/61	61	195	49	80	40	0.9	8	4	6	4	4	4
EWH219/61	61	219	49	80	40	0.9	8	4	8	4	4	4
EWH235/61	61	235	49	80	40	0.9	8	4	10	4	4	4
EWH245/61	61	245	49	80	40	0.9	8	4	10	4	4	4
EWH300/61	61	300	49	80	40	0.9	8	4	10	4	4	4
EWH360/61	61	360	49	80	40	1.2	8	4	10	4	4	4
EWH400/61	61	400	49	80	40	1.2	8	4	10	4	4	4
EWH195/63	63	195	49	80	40	0.9	8	4	6	4	4	4
EWH219/63	63	219	49	80	40	0.9	8	4	8	4	4	4
EWH235/63	63	235	49	80	40	0.9	8	4	10	4	4	4
EWH300/63	63	300	49	80	40	0.9	8	4	10	4	4	4
EWH350/63	63	350	49	80	40	1.2	8	4	10	4	4	4
EWH360/63	63	360	49	80	40	1.2	8	4	10	4	4	4
EWH400/63	63	400	49	80	40	1.2	8	4	10	4	4	4
EWH219/66	66	219	49	80	40	0.9	8	4	8	4	4	4
EWH235/66	66	235	49	80	40	0.9	8	4	10	4	4	4
EWH245/66	66	245	49	80	40	0.9	8	4	10	4	4	4
EWH300/66	66	300	49	80	40	0.9	8	4	10	4	4	4
EWH360/66	66	360	49	80	40	1.2	8	4	10	4	4	4
EWH400/66	66	400	49	80	40	1.2	8	4	10	4	4	4
EWH195/72	72	195	49	80	40	0.9	8	4	6	4	4	4
EWH219/72	72	219	49	80	40	0.9	8	4	8	4	4	4
EWH235/72	72	235	49	80	40	0.9	8	4	10	4	4	4
EWH295/72	72	295	49	80	40	0.9	8	4	10	4	4	4
EWH300/72	72	300	49	80	40	0.9	8	4	10	4	4	4
EWH350/72	72	350	49	80	40	1.2	8	4	10	4	4	4
EWH360/72	72	360	49	80	40	1.2	8	4	10	4	4	4
EWH400/72	72	400	49	80	40	1.2	8	4	10	4	4	4
EWH195/75	75	195	49	80	40	0.9	8	4	6	4	4	4
EWH219/75	75	219	49	80	40	0.9	8	4	8	4	4	4
EWH235/75	75	235	49	80	40	0.9	8	4	10	4	4	4
EWH245/75	75	245	49	80	40	0.9	8	4	10	4	4	4
EWH253/75	75	253	49	80	40	0.9	8	4	10	4	4	4
EWH300/75	75	300	49	80	40	0.9	8	4	10	4	4	4
EWH350/75	75	350	49	80	40	1.2	8	4	10	4	4	4
EWH370/75	75	370	49	80	40	1.2	8	4	10	4	4	4
EWH400/75	75	400	49	80	40	1.2	8	4	10	4	4	4
EWH417/75	75	417	49	80	40	1.2	8	4	10	4	4	4
EWH195/79	79	195	49	80	40	0.9	8	4	6	4	4	4
EWH219/79	79	219	49	80	40	0.9	8	4	8	4	4	4
EWH235/79	79	235	49	80	40	0.9	8	4	10	4	4	4
EWH245/79	79	245	49	80	40	0.9	8	4	10	4	4	4
EWH300/79	79	300	49	80	40	0.9	8	4	10	4	4	4

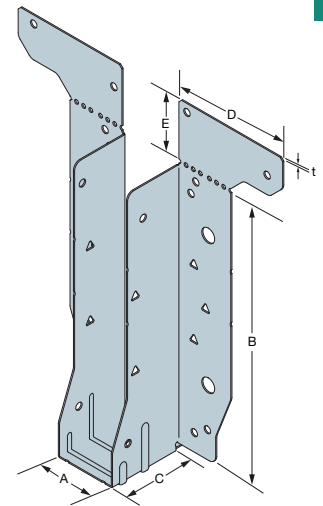


C-C-UK-2023 ©2023 SIMPSON STRONG-TIE COMPANY INC.

EWH Engineered Wood Hanger

Product Dimensions

Hanger Range	Hanger Dimensions [mm]						Holes					
							Flange B			Flange C		Flange E
References	A	B	C	D	E	t	Ø5.0	Ø10.0	Tri	Ø5.0	Tri	Ø5.0
EWH360/79	79	360	49	80	40	1.2	8	4	10	4	4	4
EWH195/91	91	195	49	80	40	0.9	8	4	6	4	4	4
EWH219/91	91	219	49	80	40	0.9	8	4	8	4	4	4
EWH235/91	91	235	49	80	40	0.9	8	4	10	4	4	4
EWH245/91	91	245	49	80	40	0.9	8	4	10	4	4	4
EWH253/91	91	253	49	80	40	0.9	8	4	10	4	4	4
EWH300/91	91	300	49	80	40	0.9	8	4	10	4	4	4
EWH350/91	91	350	49	80	40	1.2	8	4	10	4	4	4
EWH360/91	91	360	49	80	40	1.2	8	4	10	4	4	4
EWH400/91	91	400	49	80	40	1.2	8	4	10	4	4	4
EWH195/96	96	195	49	80	40	0.9	8	4	6	4	4	4
EWH219/96	96	219	49	80	40	0.9	8	4	8	4	4	4
EWH235/96	96	235	49	80	40	0.9	8	4	10	4	4	4
EWH245/96	96	245	49	80	40	0.9	8	4	10	4	4	4
EWH300/96	96	300	49	80	40	0.9	8	4	10	4	4	4
EWH350/96	96	350	49	80	40	1.2	8	4	10	4	4	4
EWH360/96	96	360	49	80	40	1.2	8	4	10	4	4	4
EWH400/96	96	400	49	80	40	1.2	8	4	10	4	4	4
EWH195/99	99	195	49	80	40	0.9	8	4	6	4	4	4
EWH219/99	99	219	49	80	40	0.9	8	4	8	4	4	4
EWH235/99	99	235	49	80	40	0.9	8	4	10	4	4	4
EWH245/99	99	245	49	80	40	0.9	8	4	10	4	4	4
EWH253/99	99	253	49	80	40	0.9	8	4	10	4	4	4
EWH295/99	99	295	49	80	40	0.9	8	4	10	4	4	4
EWH300/99	99	300	49	80	40	0.9	8	4	10	4	4	4
EWH350/99	99	350	49	80	40	1.2	8	4	10	4	4	4
EWH360/99	99	360	49	80	40	1.2	8	4	10	4	4	4
EWH370/99	99	370	49	80	40	1.2	8	4	10	4	4	4
EWH400/99	99	400	49	80	40	1.2	8	4	10	4	4	4
EWH417/99	99	417	49	80	40	1.2	8	4	10	4	4	4
EWH195/109	109	195	49	80	40	1.2	8	4	6	4	4	4
EWH219/109	109	219	49	80	40	1.2	8	4	8	4	4	4
EWH235/109	109	235	49	80	40	1.2	8	4	10	4	4	4
EWH300/109	109	300	49	80	40	1.2	8	4	10	4	4	4
EWH195/119	119	195	49	80	40	1.2	8	4	6	4	4	4
EWH219/119	119	219	49	80	40	1.2	8	4	8	4	4	4
EWH235/119	119	235	49	80	40	1.2	8	4	10	4	4	4
EWH245/119	119	245	49	80	40	1.2	8	4	10	4	4	4
EWH300/119	119	300	49	80	40	1.2	8	4	10	4	4	4
EWH360/119	119	360	49	80	40	1.2	8	4	10	4	4	4
EWH400/119	119	400	49	80	40	1.2	8	4	10	4	4	4
EWH195/122	122	195	49	80	40	1.2	8	4	6	4	4	4
EWH219/122	122	219	49	80	40	1.2	8	4	8	4	4	4
EWH235/122	122	235	49	80	40	1.2	8	4	10	4	4	4
EWH300/122	122	300	49	80	40	1.2	8	4	10	4	4	4
EWH350/122	122	350	49	80	40	1.2	8	4	10	4	4	4
EWH360/122	122	360	49	80	40	1.2	8	4	10	4	4	4
EWH400/122	122	400	49	80	40	1.2	8	4	10	4	4	4
EWH195/125	125	195	49	80	40	1.2	8	4	6	4	4	4
EWH219/125	125	219	49	80	40	1.2	8	4	8	4	4	4

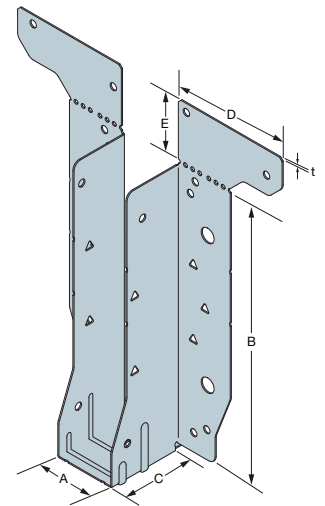


C-C-UK-2023 ©2023 SIMPSON STRONG-TIE COMPANY INC.

EWH Engineered Wood Hanger

Product Dimensions

Hanger Range	Hanger Dimensions [mm]						Holes					
							Flange B			Flange C		Flange E
References	A	B	C	D	E	t	Ø5.0	Ø10.0	Tri	Ø5.0	Tri	Ø5.0
EWH253/125	125	253	49	80	40	1.2	8	4	10	4	4	4
EWH300/125	125	300	49	80	40	1.2	8	4	10	4	4	4
EWH219/128	128	219	49	80	40	1.2	8	4	8	4	4	4
EWH235/128	128	235	49	80	40	1.2	8	4	10	4	4	4
EWH245/128	128	245	49	80	40	1.2	8	4	10	4	4	4
EWH300/128	128	300	49	80	40	1.2	8	4	10	4	4	4
EWH195/142	142	195	49	80	40	1.2	8	4	6	4	4	4
EWH219/142	142	219	49	80	40	1.2	8	4	8	4	4	4
EWH235/142	142	235	49	80	40	1.2	8	4	10	4	4	4
EWH300/142	142	300	49	80	40	1.2	8	4	10	4	4	4
EWH350/142	142	350	49	80	40	1.2	8	4	10	4	4	4
EWH195/146	146	195	49	80	40	1.2	8	4	6	4	4	4
EWH219/146	146	219	49	80	40	1.2	8	4	8	4	4	4
EWH235/146	146	235	49	80	40	1.2	8	4	10	4	4	4
EWH245/146	146	245	49	80	40	1.2	8	4	10	4	4	4
EWH253/146	146	253	49	80	40	1.2	8	4	10	4	4	4
EWH300/146	146	300	49	80	40	1.2	8	4	10	4	4	4
EWH195/150	150	195	49	80	40	1.2	8	4	6	4	4	4
EWH219/150	150	219	49	80	40	1.2	8	4	8	4	4	4
EWH253/150	150	253	49	80	40	1.2	8	4	10	4	4	4
EWH300/150	150	300	49	80	40	1.2	8	4	10	4	4	4
EWH195/182	182	195	49	80	40	1.2	8	4	6	4	4	4
EWH219/182	182	219	49	80	40	1.2	8	4	8	4	4	4
EWH235/182	182	235	49	80	40	1.2	8	4	10	4	4	4
EWH245/182	182	245	49	80	40	1.2	8	4	10	4	4	4
EWH300/182	182	300	49	80	40	1.2	8	4	10	4	4	4
EWH360/182	182	360	49	80	40	1.2	8	4	10	4	4	4
EWH400/182	182	400	49	80	40	1.2	8	4	10	4	4	4
EWH195/196	196	195	49	80	40	1.2	8	4	6	4	4	4
EWH219/196	196	219	49	80	40	1.2	8	4	8	4	4	4
EWH235/196	196	235	49	80	40	1.2	8	4	10	4	4	4
EWH245/196	196	245	49	80	40	1.2	8	4	10	4	4	4
EWH253/196	196	253	49	80	40	1.2	8	4	10	4	4	4
EWH300/196	196	300	49	80	40	1.2	8	4	10	4	4	4
EWH195/246	246	195	49	80	40	1.2	8	4	6	4	4	4
EWH219/246	246	219	49	80	40	1.2	8	4	8	4	4	4
EWH253/246	246	253	49	80	40	1.2	8	4	10	4	4	4
EWH300/246	246	300	49	80	40	1.2	8	4	10	4	4	4
EWH195/296	296	195	49	80	40	1.2	8	4	6	4	4	4
EWH219/296	296	219	49	80	40	1.2	8	4	8	4	4	4
EWH253/296	296	253	49	80	40	1.2	8	4	10	4	4	4
EWH300/296	296	300	49	80	40	1.2	8	4	10	4	4	4



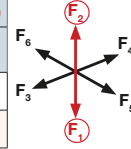
C-C-UK-2023 ©2023 SIMPSON STRONG-TIE COMPANY INC.

EWH Engineered Wood Hanger

Metal Web Headers

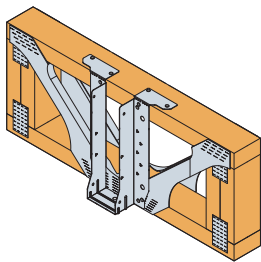
Performance Values: Standard Metal Web Header Installation Options

References	Installation	Fasteners					Characteristic Capacities [kN]				Safe Working Loads [kN]			
		Face (Flange B)		Top (Flange E)		Joist (Flange C)	$R_{1,k}$		$R_{2,k}$		$R_{1,SWL,LT}$		$R_{2,SWL,ST}$	
		Header Type		Joist Type		Header Type	Header Type		Joist Type		Header Type		Joist Type	
		Metal web		Metal web		Metal web	Metal web		Metal web		Metal web		Metal web	
		Ø5 Holes	Tri Holes	Ø5 Holes	Ø5 Holes	Tri Holes	N3.75x30	CSA5.0x50	N3.75x30	N3.75x30	CSA5.0x50	N3.75x30		
EWH	Top Fix	8	-	4	4	-	13.0	16.4	3.5	5.4	6.8	1.8		
	Face Fix	8	-	-	4	-	9.9	13.7	3.5	4.1	5.7	1.8		

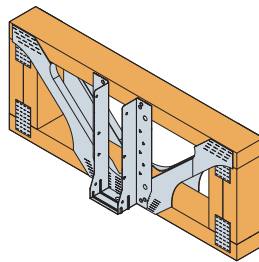


Performance Values: Enhanced Metal Web Header Installation Options

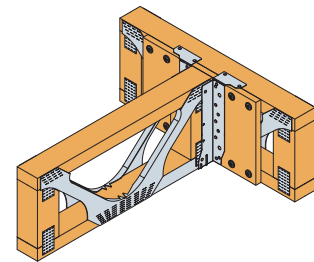
References	Installation	Fasteners					Characteristic Capacities [kN]				Safe Working Loads [kN]			
		Face (Flange B)		Top (Flange E)		Joist (Flange C)	$R_{1,k}$		$R_{2,k}$		$R_{1,SWL,LT}$		$R_{2,SWL,ST}$	
		Header Type		Joist Type		Header Type	Header Type		Joist Type		Header Type		Joist Type	
		Metal web		Metal web		Metal web	Metal web		Metal web		Metal web		Metal web	
		Ø5 Holes	Tri Holes	Ø5 Holes	Ø5 Holes	Tri Holes	N3.75x30	CSA5.0x50	N3.75x30	N3.75x30	N3.75x30	CSA5.0x50	N3.75x30	N3.75x30
EWH	Top Fix	8	6	4	4	-	17.1	17.4	3.5	-	7.1	7.3	1.8	-
		8	8	4	4	-	18.0	18.3	3.5	-	7.5	7.6	1.8	-
		8	10	4	4	-	18.6	18.9	3.5	-	7.8	7.9	1.8	-
		8	6 - 10	4	4	4	-	-	-	-	8.0	-	-	-
	Face Fix	8	6	-	4	-	15.5	16.6	3.5	-	6.5	6.9	1.8	-
		8	8	-	4	-	17.3	18.4	3.5	-	7.2	7.7	1.8	-
		8	10	-	4	-	19.1	20.2	3.5	-	8.0	8.4	1.8	-
		8	6 - 10	-	4	4	-	-	-	-	8.0	-	-	-



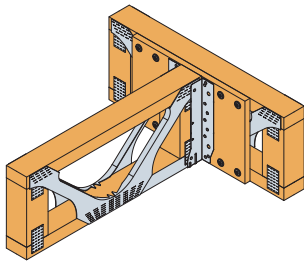
Top Fix: Standard Installation



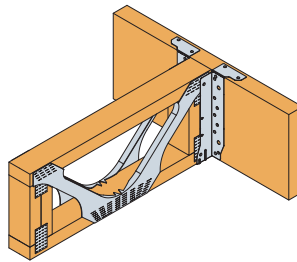
Face Fix: Standard Installation



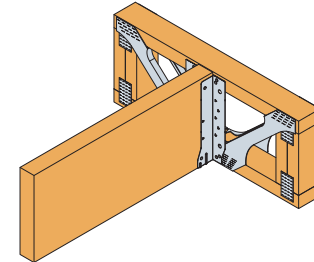
Top Fix: Enhanced Installation



Face Fix: Enhanced Installation



Top Fix: Metal Web Joist to Solid Header



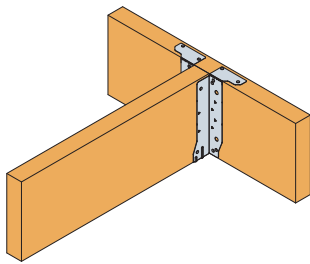
Face Fix: Solid Timber to Metal Web Joist

EWH Engineered Wood Hanger

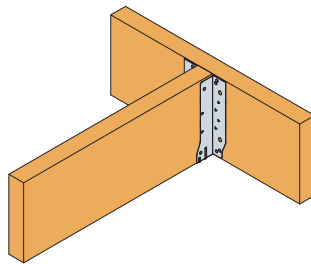
Solid Headers

Performance Values: Solid Header Installation Options

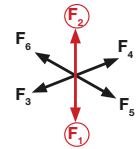
References	Installation	Fasteners					Characteristic Capacities [kN]				Safe Working Loads [kN]			
		Face (Flange B)		Top (Flange E)		Joist (Flange C)	$R_{1,k}$			$R_{2,k}$	$R_{1,SWL,LT}$			$R_{2,SWL,ST}$
		Ø5 Holes	Tri Holes	Ø5 Holes	Ø5 Holes	Tri Holes	Header Type			Joist Type	Header Type			Joist Type
		Ø5 Holes	Tri Holes	Ø5 Holes	Ø5 Holes	Tri Holes	LVL	Glulam	C24 Solid Sawn Timber	LVL Glulam C24 Solid Sawn	LVL	Glulam	C24 Solid Sawn Timber	LVL Glulam C24 Solid Sawn
						N3.75x30	N3.75x30	N3.75x30	N3.75x30	N3.75x30	N3.75x30	N3.75x30	N3.75x30	N3.75x30
EWH	Top Fix	8	-	4	4	-	15.5	12.9	12.8	3.5	6.5	5.4	5.3	1.8
		8	6	4	4	-	18.8	18.5	17.6	3.5	7.8	7.7	7.3	1.8
		8	8	4	4	-	19.0	19.0	18.5	3.5	7.9	7.9	7.7	1.8
		8	10	4	4	-	20.4	19.4	19.1	3.5	8.5	8.1	8.0	1.8
		8	6 - 10	4	4	4	-	-	-	8.0	-	-	-	4.0
	Face Fix	8	-	-	4	-	11.1	9.0	6.6	3.5	4.6	3.8	2.8	1.8
		8	6	-	4	-	18.7	16.3	13.4	3.5	7.8	6.8	5.6	1.8
		8	8	-	4	-	20.4	17.9	15.2	3.5	8.5	7.5	6.3	1.8
		8	10	-	4	-	21.3	18.6	17.1	3.5	8.9	7.8	7.1	1.8
		8	6 - 10	-	4	4	-	-	-	8.0	-	-	-	4.0



Top Fix: Standard Installation



Face Fix: Standard Installation



C-C-UK-2023 ©2023 SIMPSON STRONG-TIE COMPANY INC.

Engineered Wood Connectors

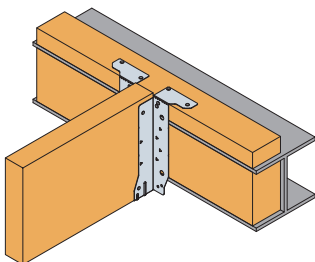
7

Timber Nailer Headers

EWH Timber Nailer Installation Options

References	Timber Nailer Depth [mm]	Fasteners					Characteristic Capacities [kN]				Safe Working Loads [kN]			
		Face (Flange B)		Top (Flange E)		Joist (Flange C)	$R_{1,k}$			$R_{2,k}^{(1)}$	$R_{1,SWL,LT}$			$R_{2,SWL,ST}^{(1)}$
		Ø5 Holes	Tri Holes	Ø5 Holes	Ø5 Holes	Tri Holes	N3.75x30	N3.75x75	CSA5.0x40	N3.75x30	N3.75x30	N3.75x75	CSA5.0x40	N3.75x30
EWH	38 - 74	4	-	4	4	-	9.8	-	13.9	2.3 to 3.5	4.1	-	5.8	1.2 to 1.8
	75 - 100	4	-	4	4	-	9.8	13.5	13.9	2.3 to 3.5	4.1	5.6	5.8	1.2 to 1.8

(1) Depends upon joist type (refer to SIP performance tables for performance values per option).

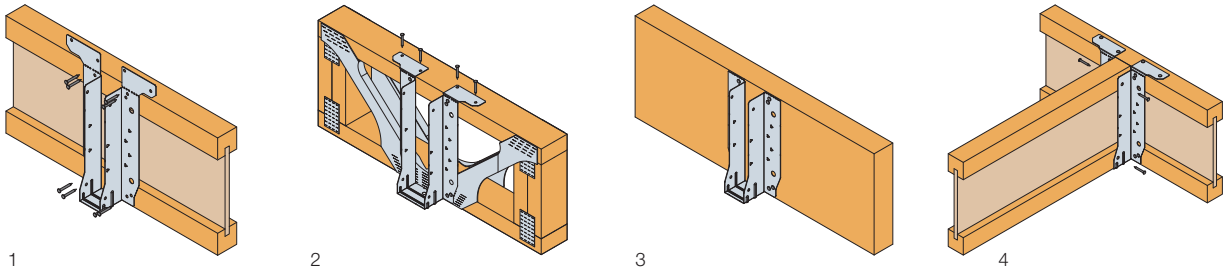


Typical Timber Nailer Installation

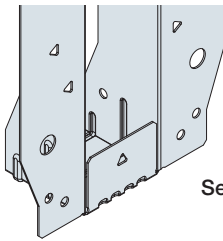
EWH Installation Instructions

EWH Standard Installation Instructions – Applicable to I-Joist, Metal Web Joist & Solid Timber Headers

1. Position EWH hanger onto the face of the supporting joist, ensuring the seat tab is tight up against the underside of the supporting joist. Ensure hanger sides are vertical; **fill all face round holes**, starting from bottom upwards, with the specified fastener.



2. For top fix installation, fold over the top flange, ensuring a tight fold line along the top edge of the supporting timber, and **fill all top round holes** with the specified fasteners (NOTE: Depending upon the joist depth, the fold line may be up to 6mm above the perforation lines).
3. For face fix installations, snap off the top flange along the perforation line (NOTE: The top flange may be snapped off pre or post installation).
4. Insert the incoming joist, ensuring it is tight against the back of the EWH (maximum allowable gap is 3mm between end of incoming joist and face of hanger) and **fill all round holes** in the side flanges.
For instances where the supporting member is deeper than the hanger, bend the seat tab upwards so the hanger fits tight against the face of the supporting member.



Seat tab bent upwards

EWH Enhanced Installation Instructions – Applicable to I-Joist Headers, Metal Web Headers & Solid Timber

1. Metal Web Headers Only: Install an 18mm plywood gusset to the face of the metal web joist. The plywood gusset is to be at least 400mm long and full depth of the metal web joist. The plywood gusset is installed with 8 No ESCR8.0x80mm screws. The screws are to be positioned in accordance to illustration below.

