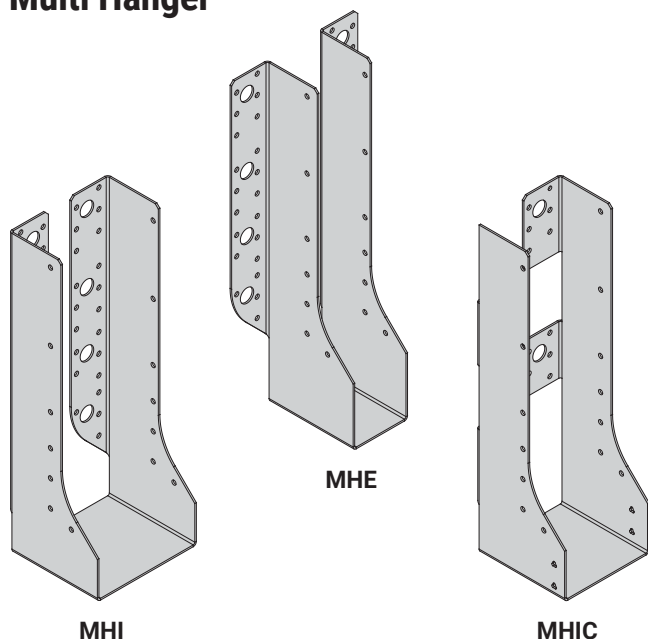


# MH RANGE

## Multi Hanger



The MH hanger range is designed to support timber to timber connections in medium to high load situations.

### Features & Benefits

- External and internal flange options allow for multifunctional use
- Range of sizes and potential fixing options allows for greater design flexibility
- Partial fixing options available on request. Contact Technical Support.

### Material Specification

- Galvanised mild steel – Z275

### Fixings

Code	Description	Box Qty
547389	3.4 x 35mm Square Twist Nails – LOOSE	500
141185	3.4 x 35mm Square Twist Nails – COLLATED*	2,500
See page 10	M12 Bolts	Each

\*For use with Paslode PPN35Ci

### Available Sizes

Hanger Width (W) (mm)	MHE380	MHI/MHIC380	MHE490	MHI/MHIC490	MHE620	MHI/MHIC620
39	MHE380-39-170	MHIC380-39-170	MHE490-39-225	MHIC490-39-225	-	MHIC620-39-290
46	MHE380-46-167	MHIC380-46-167	MHE490-46-222	MHIC490-46-222	MHE620-46-287	MHIC620-46-287
50	MHE380-50-165	MHIC380-50-165	MHE490-50-220	MHIC490-50-220	MHE620-50-285	MHIC620-50-285
55	-	-	-	MHIC490-55-217	-	-
61	-	-	-	MHIC490-61-214	-	MHIC620-61-279
65	-	-	-	MHIC490-65-212	-	MHIC620-65-277
72	-	-	-	MHIC490-72-209	-	MHIC620-72-274
75	MHE380-75-152	MHIC380-75-152	MHE490-75-207	MHIC490-75-207	MHE620-75-272	MHIC620-75-272
78	-	-	MHE490-78-206	MHIC490-78-206	MHE620-78-271	-
92	MHE380-92-144	MHI380-92-144	MHE490-92-199	MHI490-92-199	MHE620-92-264	MHI620-92-264
100	MHE380-100-140	MHI380-100-140	MHE490-100-195	MHI490-100-195	MHE620-100-260	MHI620-100-260
110	-	-	MHE490-110-190	-	-	-
118	-	-	MHE490-118-186	-	-	-
122	-	-	MHE490-122-184	-	MHE620-122-249	-
125	-	-	MHE490-125-182	MHI490-125-182	MHE620-125-247	MHI620-125-247
130	-	-	-	-	MHE620-130-245	-
135	-	-	MHE490-135-177	MHI490-135-177	-	-
138	-	-	MHE490-138-176	MHI490-138-176	MHE620-138-241	MHI620-138-241
144	-	-	-	MHI490-144-173	MHE620-144-238	-
150	MHE380-150-115	MHI380-150-115	MHE490-150-170	MHI490-150-170	MHE620-150-235	MHI620-150-235

Hanger Width (W) (mm)	MHE620	MHI620	MHE670	MHE720
183	MHE620-183-218	MHI620-183-218	-	-
198	MHE620-198-211	MHI620-198-211	-	-
210	-	-	MHE670-210-230	-
225	-	-	MHE670-225-222	-
230	-	-	MHE670-230-220	-
250	-	-	MHE670-250-210	-
300	-	-	-	MHE720-300-210

Example: **MHIC620-50-285**

L W H

L = length W = width H = height

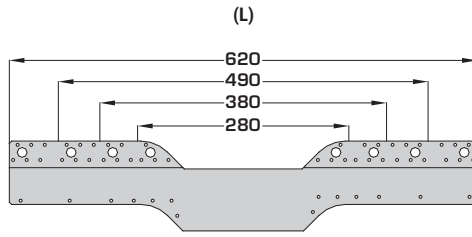
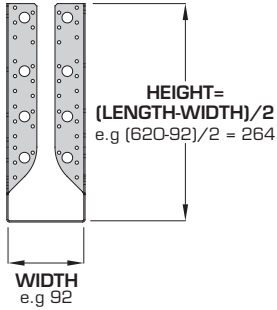


The hanger depth must be at least 60% of the carried member depth to prevent rotation.

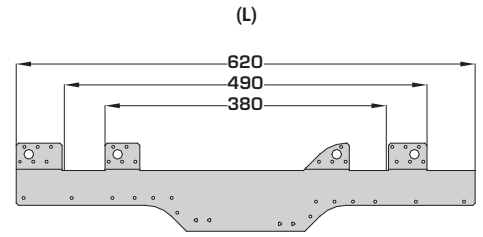
# MH RANGE

## Multi Hanger

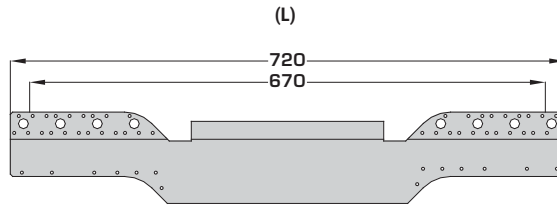
### Hanger Coding



MHE/MHI FLAT BLANK  
(280 - 620)



MHIC FLAT BLANK

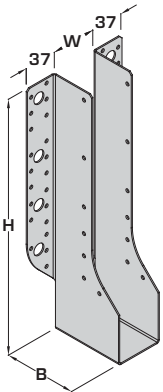


MHE/MHI FLAT BLANK  
(670 - 720)

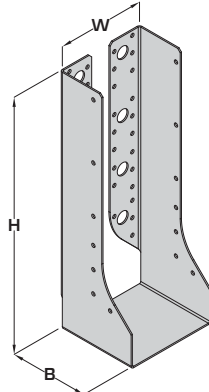
Example: **MHI620-92-264**  
L W H  
L = length W = width H = height

### Dimensions (mm)

MHE

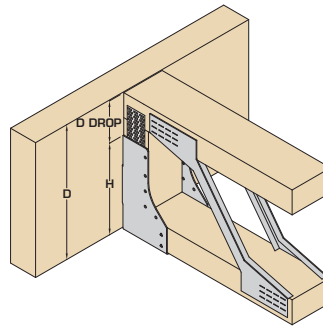


MHI/MHIC



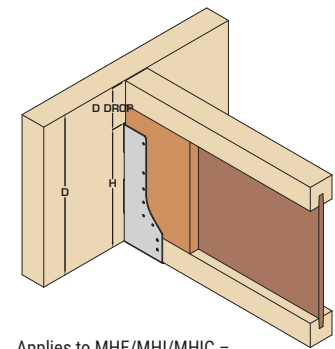
### In Situ

MHI Installed onto Solid Header with Open Web incoming



Applies to MHE/MHI/MHIC -  
Hanger height (H) must be minimum 60% of joist depth (D).  
Where hanger drop (D DROP) exceeds 32mm a solid end block is required with max 25mm horn.

MHI Installed onto Solid Header with I-Joist incoming



Applies to MHE/MHI/MHIC -  
Hanger height (H) must be minimum 60% of joist depth (D).  
Where hanger drop (D DROP) exceeds values below web stiffeners are required.

### Load Data

Product Code	Dimensions (mm)			Fixings (3.4 x 35mm)		Characteristic Capacity (kN)			
	W		B	Header	Incoming	Uplift	I-Joist Header With Backer Block (Solid/LVL Flange)	Open Web Header With Plywood Gusset	Solid Timber Header (Min TR26/C27)
	Min	Max							
MHIC380	39	78	82	9	10	8.49	10.55	10.55	10.55
MHE/MHI380	39	150	85	18	10	8.49	20.07	20.07	20.07
MHIC490	39	78	82	16	12	14.72	16.76	16.76	16.76
MHE/MHI490	39	150	85	30	12	14.72	25.66	25.66	25.66
MHIC620	39	78	82	21	14	14.72	21.26	21.26	21.26
MHE/MHI620	39	100	85	42	14	14.72	32.77	29.50	32.77
MHE/MHI620	122	150	85	42	14	14.72	25.92	25.92	25.92
MHE/MHI620	183	198	85	42	14	14.72	32.77	29.50	32.77
MHE670	210	250	85	42	14	14.72	32.77	29.50	32.77
MHE720	300	300	85	42	14	14.72	32.77	29.50	32.77

Flange Depth (mm)	D Drop (mm)
36	26
39	29
45	35

Where full uplift capacities are not required a minimum of 2No fixings are required into the incoming joist.

Fixings (3.4 x 35mm)	Characteristic Capacity (kN)
Incoming	Uplift
2	1.98

See Page 73 for plywood fixing details. See Page 115 for MHE bolted values to solid timber.