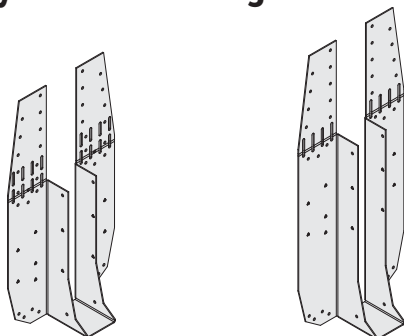


HUH (Open Web Applications)

Heavy Universal Hanger



The HUH hanger is designed for any joist to joist, joist to trimmer or joist to steel application in high load applications.

Features & Benefits

- Elongated slots for height adjustment
- No need for plywood gussets or backer blocks
- Additional triangular fixing holes for increased performance on solid members
- Suitable for connections to steel work – see pages 74 – 76

NEW 220-235MM DEEP MERGED PART

NEW 300MM DEEP DESIGN

- Streamlined range
- From 43 to 22 parts
- Removal of outer bend with no reduced performance
- Removal of outer bend with no reduced performance

Material Specification

- Galvanised mild steel – Z275

Fixings

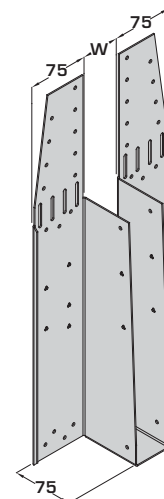
Code	Description	Box Qty
547389	3.4 x 35mm Square Twist Nails – LOOSE	500
141185	3.4 x 35mm Square Twist Nails – COLLATED*	2,500

*For use with Paslode PPN35Ci

Available Sizes

Hanger Width (W) (mm)	Hanger Depth (mm)					
	195	220	300	350	375	400
39	-	HUH-39-220-235	HUH-39-300	-	-	-
46	-	HUH-46-220-235	HUH-46-300	HUH-46-350	-	-
50	-	HUH-50-220-235	HUH-50-300	HUH-50-350	HUH-50-375	HUH-50-400
61	-	HUH-61-220-235	HUH-61-300	-	-	-
65	-	HUH-65-220-235	HUH-65-300	-	-	-
72	-	HUH-72-220-235	HUH-72-300	-	-	-
75	HUH-75-195	HUH-75-220-235	HUH-75-300	HUH-75-350	HUH-75-375	HUH-75-400
78	-	HUH-78-220-235	HUH-78-300	-	-	-
92	-	HUH-92-220-235	HUH-92-300	HUH-92-350	-	HUH-92-400
100	HUH-100-195	HUH-100-220-235	HUH-100-300	HUH-100-350	HUH-100-375	HUH-100-400
110	-	HUH-110-220-235	HUH-110-300	-	-	-
122	-	HUH-122-220-235	HUH-122-300	-	-	HUH-122-400
125	HUH-125-195	HUH-125-220-235	HUH-125-300	-	HUH-125-375	HUH-125-400
130	-	HUH-130-220-235	HUH-130-300	-	-	-
138	-	HUH-138-220-235	HUH-138-300	-	-	-
144	-	HUH-144-220-235	HUH-144-300	-	-	-
150	HUH-150-195	HUH-150-220-235	HUH-150-300	HUH-150-350	HUH-150-375	HUH-150-400
183	-	HUH-183-220-235	HUH-183-300	-	-	-
198	HUH-198-195	HUH-198-220-235	HUH-198-300	-	HUH-198-375	HUH-198-400
225	-	HUH-225-220-235	-	-	-	-
250	-	HUH-250-220-235	HUH-250-300	-	-	-
300	-	HUH-300-220-235	HUH-300-300	-	-	-

Dimensions (mm)



Height Suitability

344

HUH-195
(To suit 195 – 202mm deep open web joists)

367

HUH-220-235
(To suit 219–254mm deep open web joists)

447

HUH-300
(To suit 304mm deep open web joists)

497

HUH-375
(To suit 373 – 375mm deep open web joists)

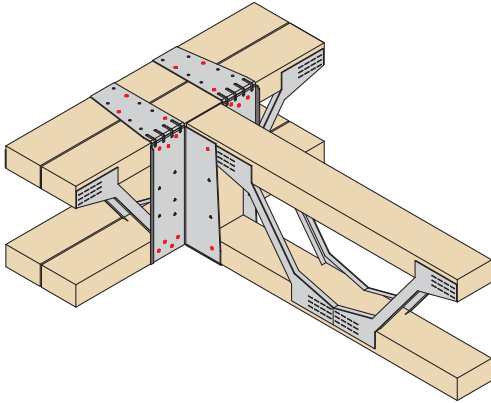
547

HUH-400
(To suit 417 – 424mm deep open web joists)

HUH (Open Web Applications)

Heavy Universal Hanger

Standard Installation – Open Web Header



See Page 71 For Installation Instructions

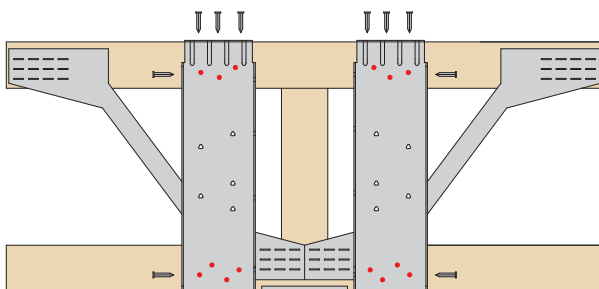
- Fill all red holes as indicated for this installation
- No backer block/plywood gusset required
- Top tabs to be wiped over and nailed
- Min 2No fixings into rear ply and 1No fixing into front ply per leg for double headers
- Additional triangular holes into face only required for solid headers

Additional triangular holes into incoming joist only required for enhanced uplift. (for details see page 70)

Load Data

Hanger Depth (mm) (Depth Dependent Only)	Fixings (3.4 x 35mm)			Characteristic Capacity (kN)	
	Header		Incoming	Uplift	Open Web Header
	Face	Top			
195	14	6	4	3.97	13.95
220	14	6	4	3.97	13.95
235	14	6	4	3.97	18.60
300	14	6	4	3.97	18.60
375	14	6	4	3.97	18.60
400	14	6	4	3.97	18.60

Standard Installation With Blocking – Open Web Header



See Page 72 For Installation Instructions

- Fill all red holes as indicated for this installation
- Blocking piece required within joist, centred on hanger and minimum 47 x 72mm
- No backer block/plywood gusset required
- Top tabs to be wiped over and nailed
- Min 2No fixings into rear ply and 1No fixing into front ply per leg for double headers

Additional triangular holes into incoming joist only required for enhanced uplift. (for details see page 70)

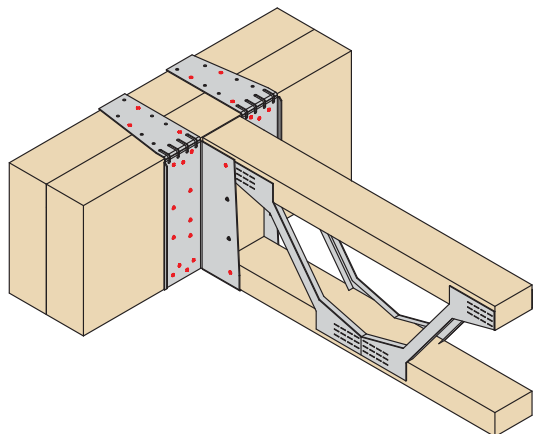
Load Data

Hanger Depth (mm) (Depth Dependent Only)	Fixings (3.4 x 35mm)			Characteristic Capacity (kN)	
	Header		Incoming	Uplift	Open Web Header With Blocking
	Face	Top			
195	14	6	4	3.97	24.00
220	14	6	4	3.97	24.00
235	14	6	4	3.97	24.00
300	14	6	4	3.97	24.00
375	14	6	4	3.97	24.00
400	14	6	4	3.97	24.00

HUH (Open Web Applications)

Heavy Universal Hanger

Enhanced Installation – Solid Header



See Page 71 For Installation Instructions

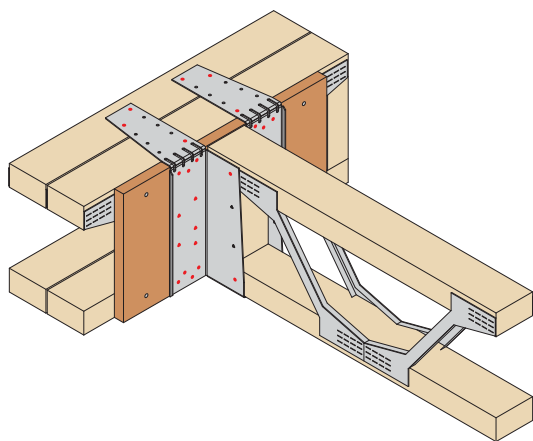
- Fill all red holes as indicated for this installation
- All nail holes filled into solid header (including triangular)
- Top tabs to be wiped over and nailed
- Min 2No fixings into rear ply and 1No fixing into front ply per leg for double headers

Additional triangular holes into incoming joist only required for enhanced uplift. (for details see page 70)

Load Data

Hanger Depth (mm) (Depth Dependent Only)	Fixings (3.4 x 35mm)			Characteristic Capacity (kN)		
	Header		Incoming	Uplift	Solid Header	
	Face	Top			GL (Min GL28)	LVL
195	20	6	4	3.97	29.50	29.50
220	24	6	4	3.97	29.50	29.50
235	24	6	4	3.97	29.50	29.50
300	24	6	4	3.97	29.50	29.50
375	30	6	4	3.97	29.50	29.50
400	30	6	4	3.97	29.50	29.50

Enhanced Installation – Open Web Header With Plywood Gusset



See Page 73 For Installation Instructions

- Fill all red holes as indicated for this installation
- 18mm plywood gusset should be screwed into open web header with the appropriate screws – see installation instructions for more information
- All nail holes filled into plywood gusset (including triangular)
- Top tabs to be wiped over and nailed
- Min 2No fixings into rear ply and 1No fixing into front ply per leg for double headers

Additional triangular holes into incoming joist only required for enhanced uplift. (for details see page 70)

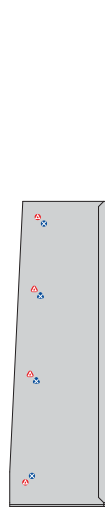
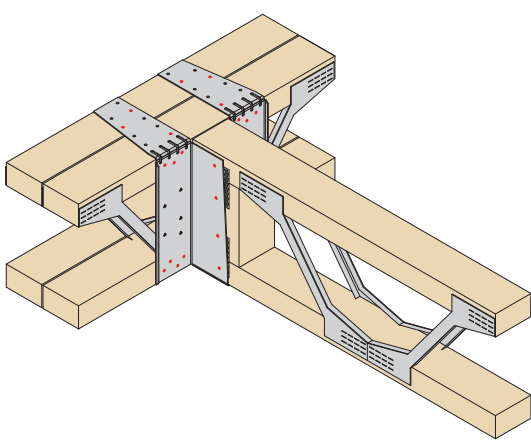
Load Data

Hanger Depth (mm) (Depth Dependent Only)	Fixings (3.4 x 35mm)			Characteristic Capacity (kN)	
	Header		Incoming	Uplift	Open Web Header / 18mm Plywood Gusset
	Face	Top			
195	20	6	4	3.97	29.50
220	24	6	4	3.97	29.50
235	24	6	4	3.97	29.50
300	24	6	4	3.97	29.50
375	30	6	4	3.97	29.50
400	30	6	4	3.97	29.50

HUH (Open Web Applications)

Heavy Universal Hanger

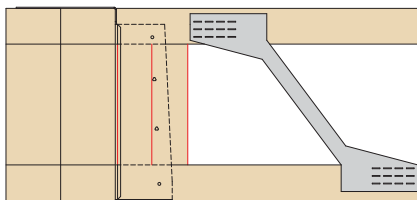
Enhanced Uplift



- Fill all red holes as indicated for this installation
- Fixings into the incoming joist are required to resist uplift
- Increased uplift figures can be achieved by nailing the additional triangular nail holes into the incoming member – solid incoming or full width vertical required

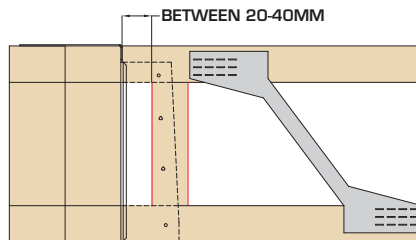
- ▲ Near side
- Far side

195 – 400MM



Hanger side flanges/plates omitted for clarity

2No end verticals required to achieve full uplift capacity.

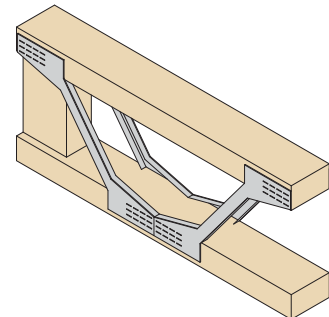


Hanger side flanges/plates omitted for clarity

Single end verticals can be used if the gap between the back of the hanger and the vertical is between 20 – 40mm.



Incorrect Installation



Do not use HUH for enhanced uplift when using trimmable ends

Load Data

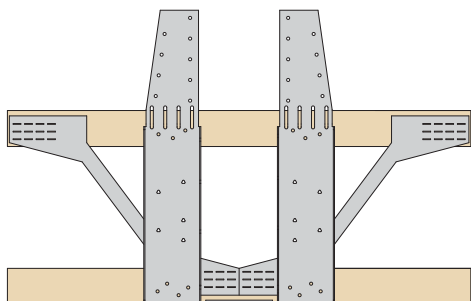
Hanger Depth (mm) (Depth Dependent Only)	Fixings (3.4 x 35mm) Incoming	Characteristic Capacity (kN) Uplift
195 – 400	8	7.97

HUH (Open Web Applications)

Heavy Universal Hanger

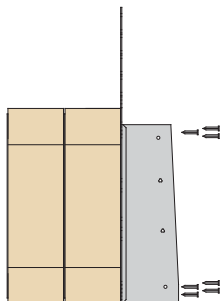
Standard Installation Instructions – Open Web Header

Stage 1



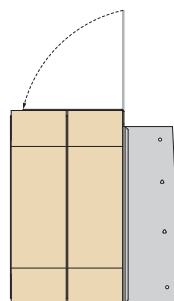
Position hanger flush with underside of joist.

Stage 2



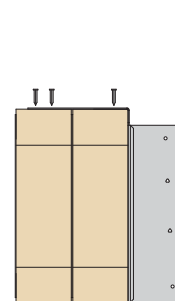
Face nail to top and bottom chords using 14No 3.4 x 35mm square twist nails in total.

Stage 3



Wipe over top tabs to give a flush fit to the joist.

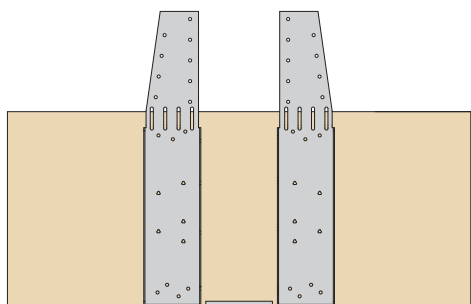
Stage 4



Nail top tabs into top chord of joist – Min 2No 3.4 x 35mm square twist nails into rear ply and 1No 3.4 x 35mm square twist nail into front ply per leg.

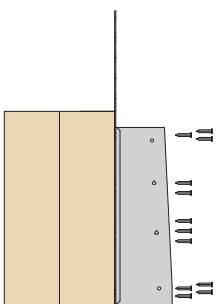
Enhanced Installation Instructions – Solid Header

Stage 1



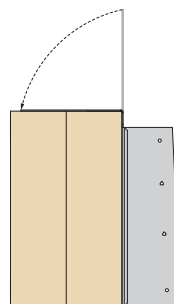
Position hanger flush with underside of joist.

Stage 2



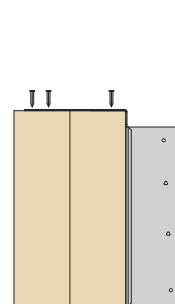
Fill all round and triangular nail holes to header joist with 3.4 x 35mm square twist nails.

Stage 3



Wipe over top tabs to give a flush fit to the joist.

Stage 4

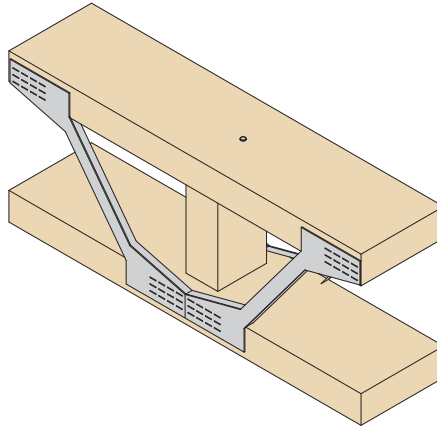
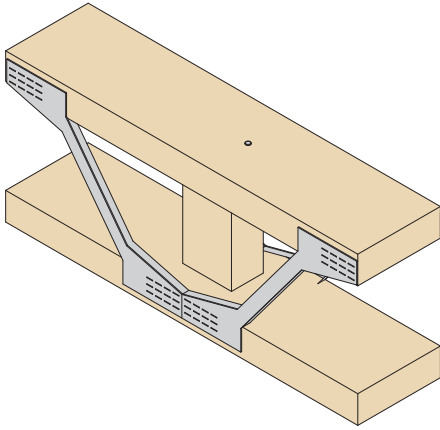


Nail top tabs into top chord of joist – Min 2No 3.4 x 35mm square twist nails into rear ply and 1No 3.4 x 35mm square twist nail into front ply per leg.

HUH (Open Web Applications)

Heavy Universal Hanger

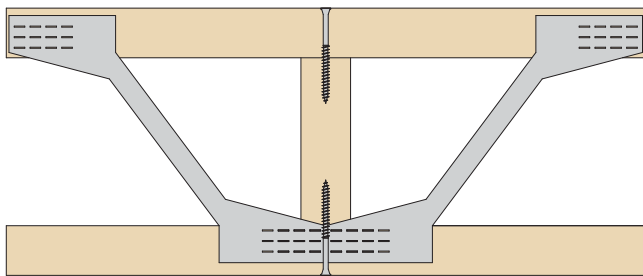
Standard Installation With Blocking Instructions – Open Web Header



Applying a high load to the top flange of an open web joist can lead to failure of the joist itself (i.e metal webs buckling)

Adding a vertical blocking piece to the open web joist prevents buckling and helps transfer the load, therefore allowing the hanger to perform to a greater capacity.

Stage 1

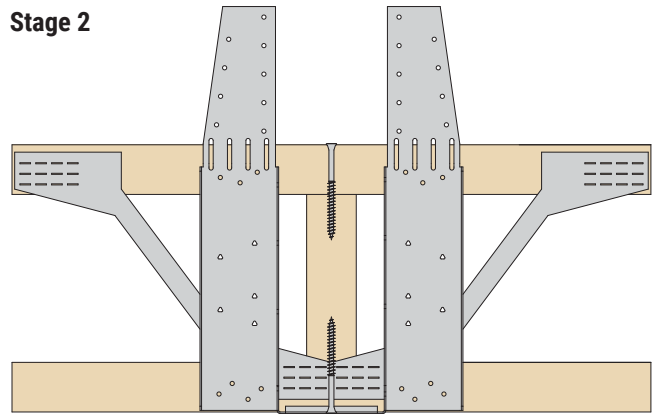


Vertical blocking piece to be built into Open Web Joist, centred on incoming hanger position.

Vertical blocking piece to be minimum 47 x 72mm C16 timber.

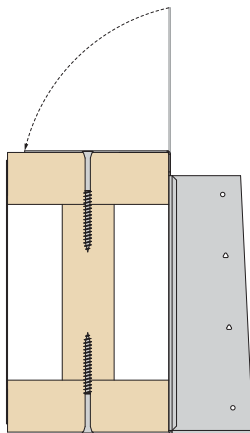
Fixed using Paslode 3.1 x 90mm annular ring shank nails.

Stage 2



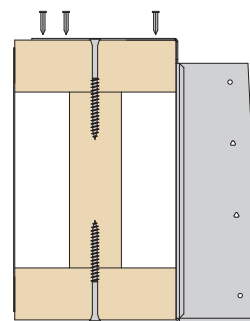
Position hanger against face of Open Web Joist with locating tab tight to underside of joist.

Stage 3



Wipe over top tabs to give a flush fit to the joist.

Stage 4



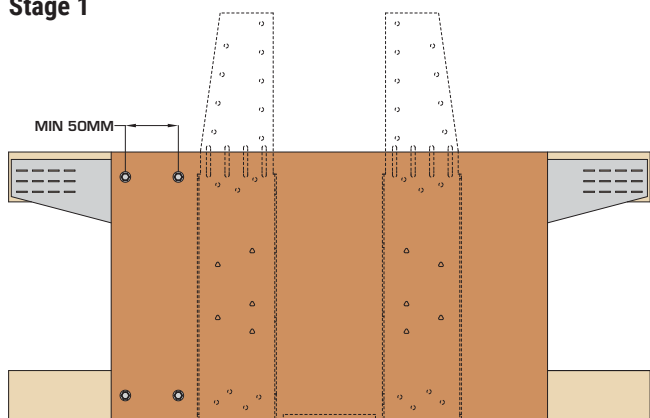
Nail top tabs into top chord of joist – Min 2No 3.4 x 35mm square twist nails into rear ply and 1No 3.4 x 35mm square twist nail into front ply per leg.

HUH (Open Web Applications)

Heavy Universal Hanger

Open Web Header With Plywood Gusset Instructions

Stage 1

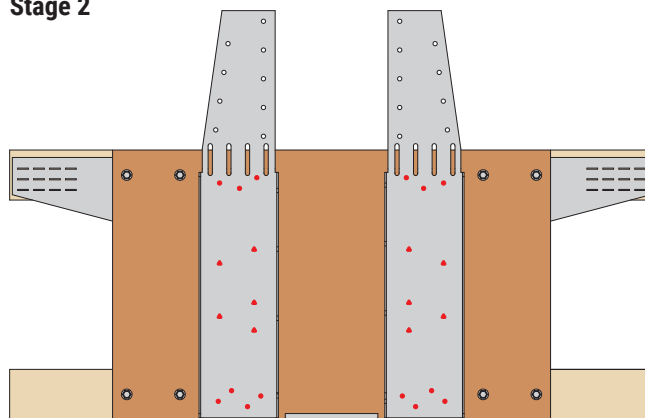


18mm plywood should be fixed to the face of the open web joist with 4No PSTS 6.5mm into the top chord and 4No PSTS 6.5mm into the bottom chord.

Plywood should be the full depth of the open web and of a width to give the screws the appropriate edge distance.

Paslode Structural Timber Screws should be used to fix the plywood to the open web joist. The screw length is dependant on the joist thickness.

Stage 2



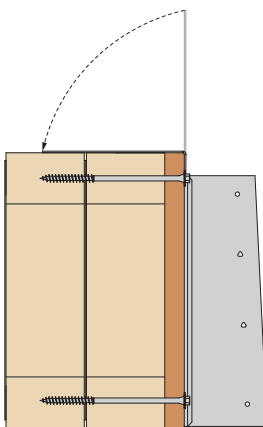
Position hanger flush with underside of joist.

Circular nail holes filled from bottom to top ensuring hanger side flanges are plumb.

All fixings are 3.4 x 35mm square twist nails.

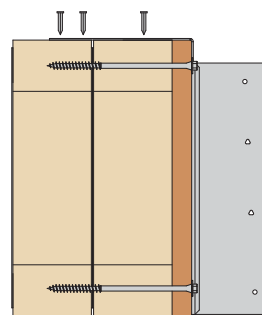
Triangular nail holes should also be filled.

Stage 3



Wipe over top tabs to give a flush fit to the joist.

Stage 4



Nail top tabs into top chord of joist – Min 2No 3.4 x 35mm square twist nails into rear ply and 1No 3.4 x 35mm square twist nail into front ply per leg.

Screw Specification

Header Joist Thickness	Fixing Ref	Product Code	Box Qty
Single 72mm	PSTS6.5X65	551105	100
Single 97mm	PSTS6.5X100	551106	100
Single 122mm	PSTS6.5X100	551106	100
Single 147mm	PSTS6.5X115	551102	100
Double 72mm	PSTS6.5X150	551107	100
Double 97mm	PSTS6.5X200	551108	100
Double 122mm	PSTS6.5X200	551108	100
Double 147mm	PSTS6.5X250	551109	100