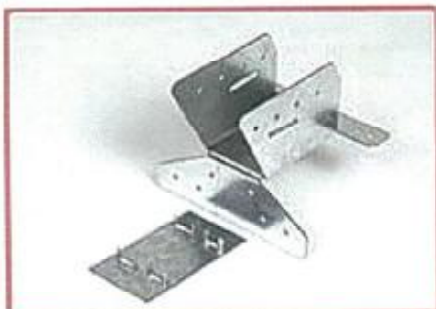
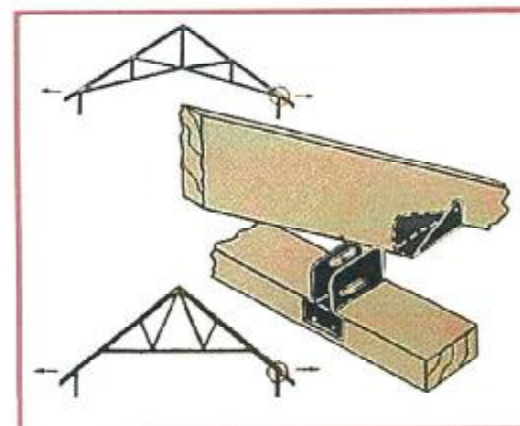


## GLIDE SHOE SPECIALLY DESIGNED TO ALLOW **HORIZONTAL MOVEMENT** BETWEEN **TRUSSED RAFTER AND WALLPLATE**

It has been observed that under extreme conditions, the use of truss clips with Raised Tie & Scissor trusses has caused **splitting of the rafter at the wallplate** and **movement at the top of the masonry walls**.

This is due to the **horizontal movement (spread)** of the foot of the rafter at the bridsmouth when it bears onto the wallplate.



1.2mm pre-galvanised mild steel to  
BS EN 10142 DX51D Z275

- ✓ Therefore, a **Glide Shoe** is preferred because this allows horizontal sliding when the tile loading is applied, but does not allow any lateral movement or vertical uplift which complies to NHBC and LA regulations.
- ✓ **Stops splitting of the rafter** to avoid need for replacing trussed rafters which avoids the need for rebuilding masonry walls.
- ✓ Proven technology!
- ✓ Available to suit widths of 38mm, 50mm @ £ 6.50 each
- ✓ Available to suit widths of 100mm, 125mm & 150mm @ £ 7.00 each
- ✓ Cheaper than installing a roof twice!!

### MINERA ROOF TRUSSES LTD.

FIVE CROSSES INDUSTRIAL ESTATE MINERA WREXHAM CLWYD LL11 3RD  
TEL. 01978 758869/758476/750287 FAX. 01978 750293

**5 DAY DELIVERY NATIONWIDE IN THE UK**

