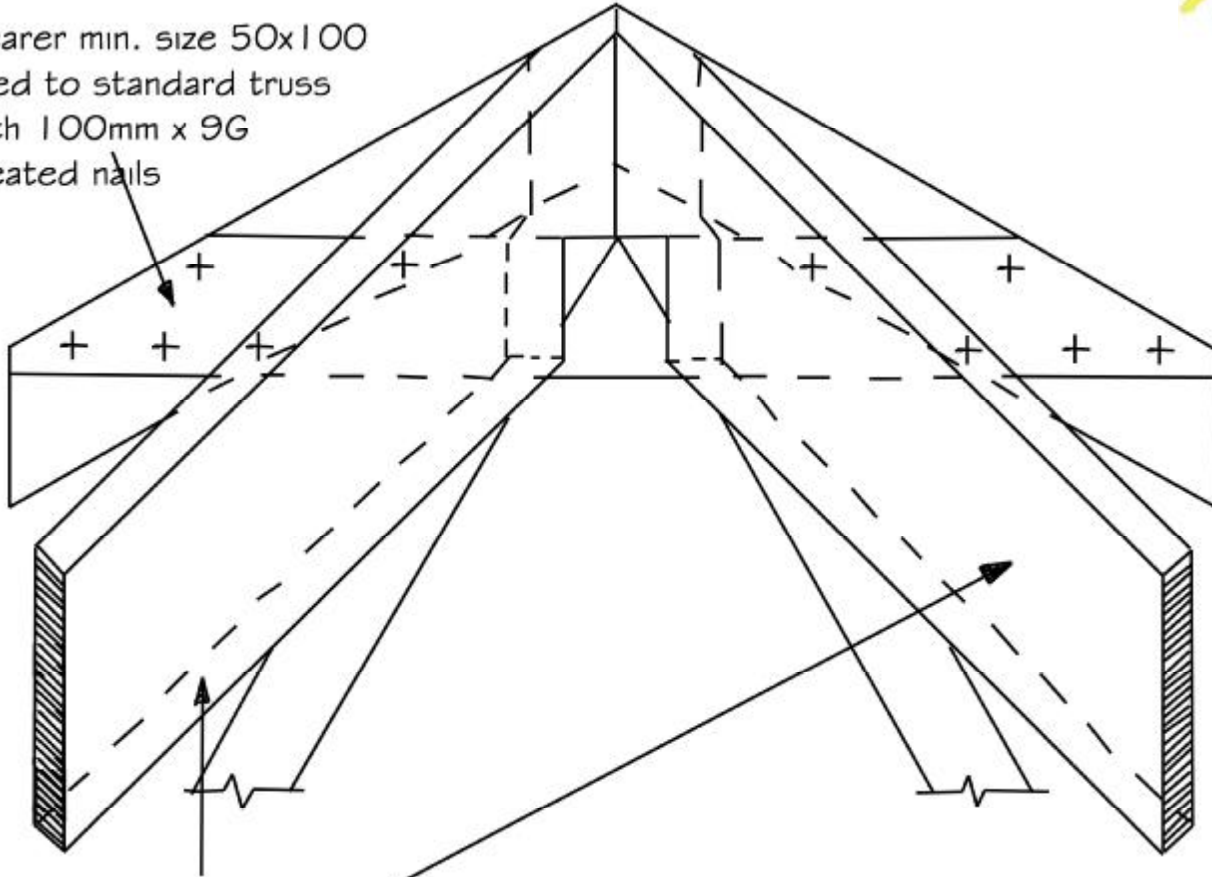


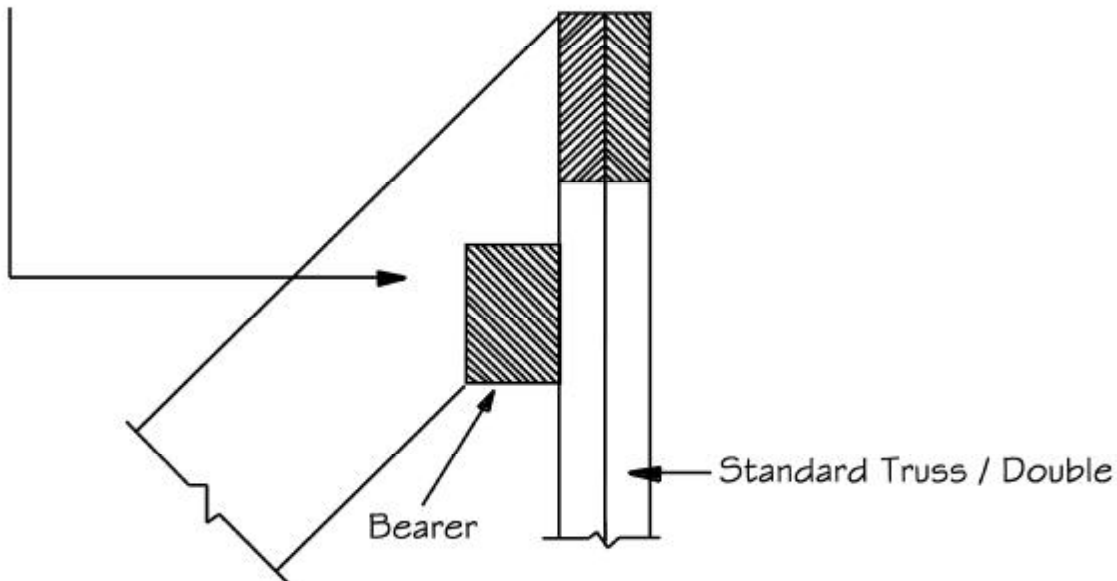


## Typical Hip Rafter To Ridge Intersection Detail

Bearer min. size 50x100  
fixed to standard truss  
with 100mm x 9G  
treated nails



Hip boards to be notched  
over bearer and  
fixed securely





## Typical Hip Rafter To Hip Girder Detail

If Hip board has to be butt jointed over flat top truss, then joint to be restrained each side as shown with 'BAT' nail plate 200x100 or similar approved with minimum 6 no nails in each member both sides. Nails to be 32mm x 9G Square twisted.  
ALL SUPPLIED BY OTHERS.

